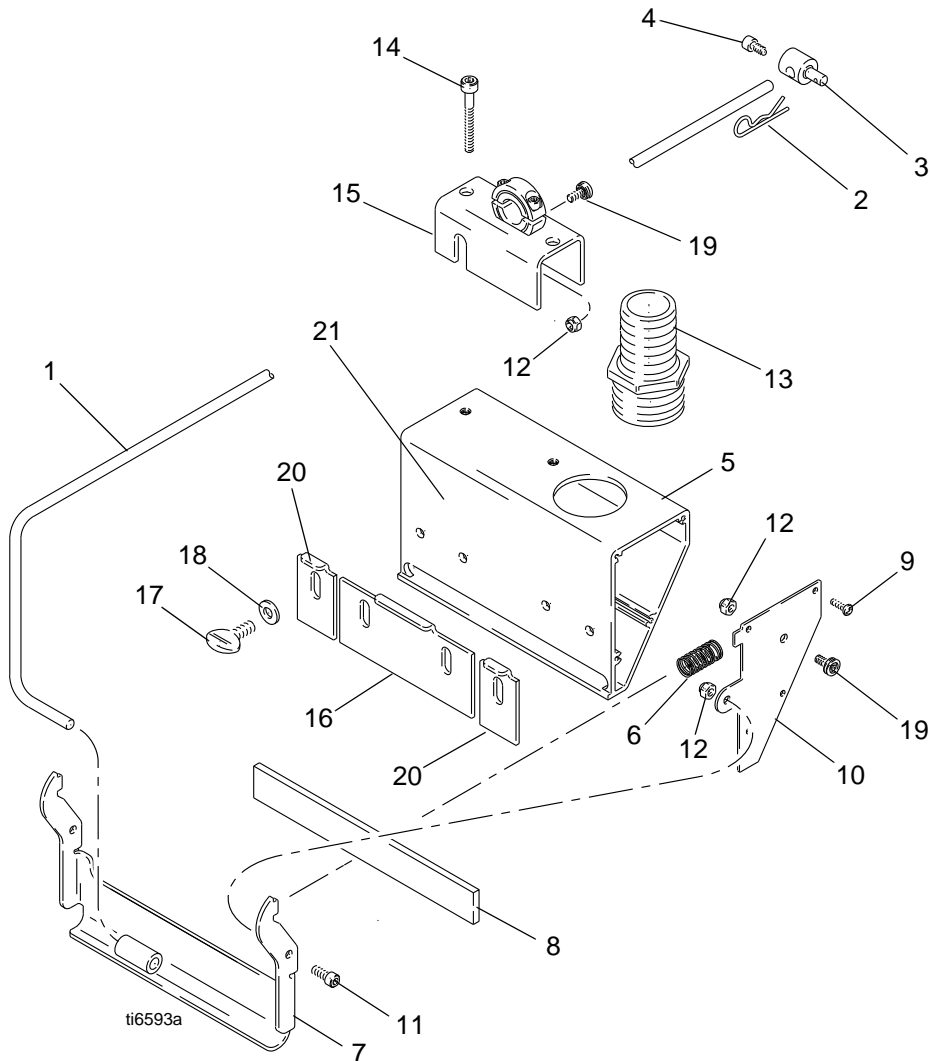
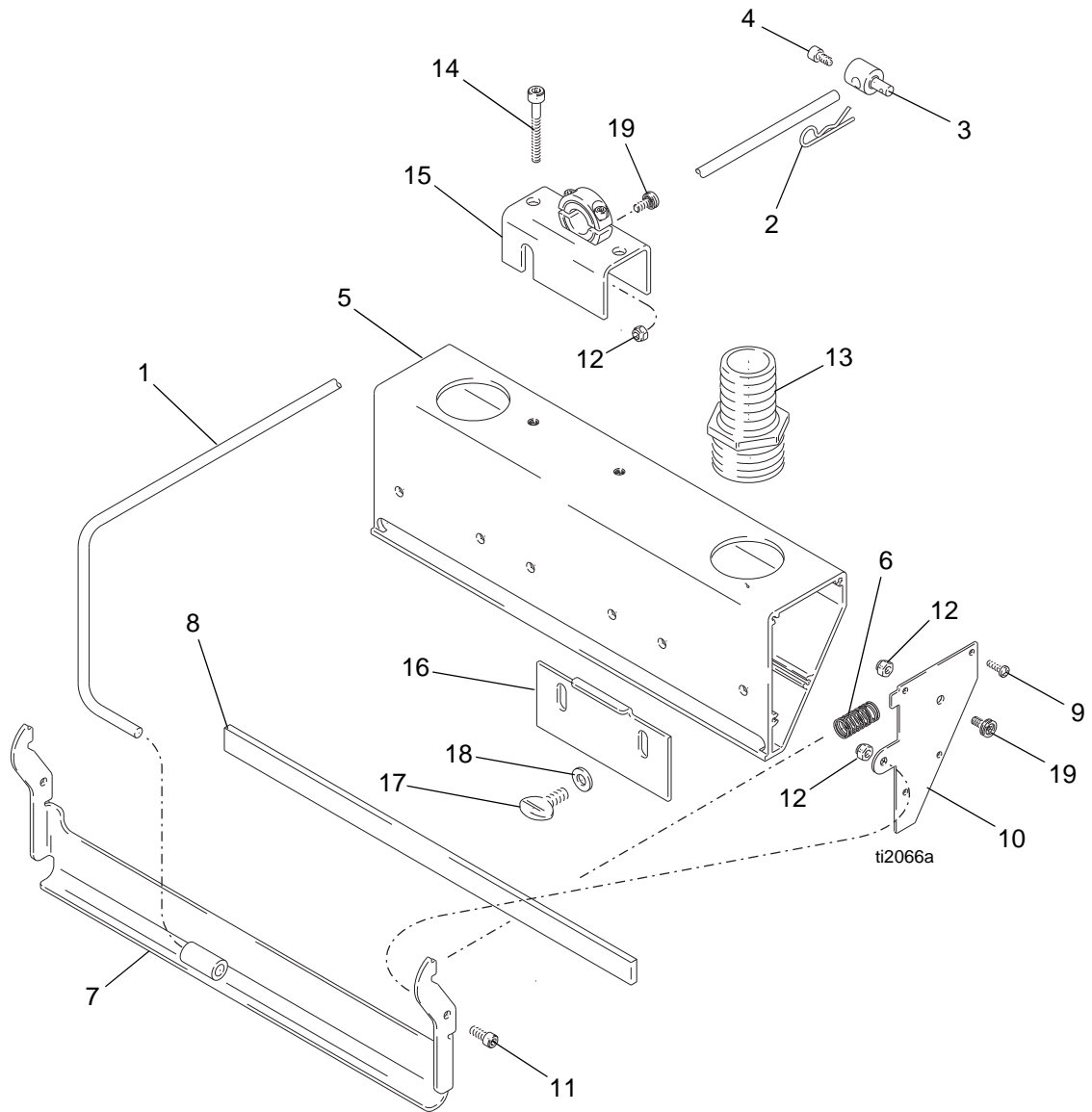


6-Inch Dispenser Assembly - Parts List



Ref.	Part	Description	Qty.	Ref.	Part	Description	Qty.
	277067	DISPENSER ASSY KIT, beads (see item 8, Bead Dispenser Kit Parts List)		10	198376	. CAP, end, bead dispenser	2
1	198379	. ROD, connecting	1	11	102598	. SCREW, cap, sch	2
2	114814	. PIN, bridge	1	12	115483	. NUT, lock	5
3	15A264	. LINK, mounting, adjustable	1	13	116998	. FITTING, hose, barb	1
4	198058	. SCREW, cap, schd, 10-24 x 3/8	1	14	101885	. SCREW, cap, sch	2
5	15F363	. HOUSING, dispenser, 6 in.	1	15	245679	. BLOCK, mounting	2
6	117155	. SPRING, compression	2	16	198380	. PLATE, slide	1
7	15F357	. DOOR, dispenser, 6 in.	1	17	100085	. SCREW, thumb	4
8	15F366	. PAD, foam, 6 in.	1	18	100086	. WASHER	4
9	117576	. SCREW, machine, hex wash hd	8	19	117275	. STUD, button, snap	3
				20	15F367	. PLATE, slide	2
				21	166362	. LABEL, identification	1

12-Inch Dispenser Assembly - Parts List



Ref.	Part	Description	Qty.	Ref.	Part	Description	Qty.
	245516	DISPENSER ASSY KIT, beads (see item 8, Bead Dispenser Kit Parts List)		9	117576	. SCREW, machine, hex washer hd	8
1	198379	. ROD, connecting	1	10	198376	. SCREW, door, hex	2
2	114814	. PIN, bridge	1	11	102598	. SCREW, cap, socket head	2
3	15A264	. LINK, mounting, adjustable	1	12	115483	. NUT, lock	5
4	198058	. SCREW, cap, socket head	1	13	116998	. FITTING, hose, barb	2
5	245799	. HOUSING KIT, dispenser	1	14	101885	. SCREW, cap, socket head	2
6	117155	. SPRING, compression	2	15	245679	. BLOCKING, mounting	1
7	198378	. DOOR, dispenser	1	16	198380	. PLATE, slide	3
8	116680	. PAD, foam, die-cut	1	17	100085	. SCREW, thumb	6
				18	100086	. WASHER	6
				19	117275	. STUD, button, snap	3

Graco Standard Warranty

Graco warrants all equipment referenced in this document which is manufactured by Graco and bearing its name to be free from defects in material and workmanship on the date of sale to the original purchaser for use. With the exception of any special, extended, or limited warranty published by Graco, Graco will, for a period of twelve months from the date of sale, repair or replace any part of the equipment determined by Graco to be defective. This warranty applies only when the equipment is installed, operated and maintained in accordance with Graco's written recommendations.

This warranty does not cover, and Graco shall not be liable for general wear and tear, or any malfunction, damage or wear caused by faulty installation, misapplication, abrasion, corrosion, inadequate or improper maintenance, negligence, accident, tampering, or substitution of non-Graco component parts. Nor shall Graco be liable for malfunction, damage or wear caused by the incompatibility of Graco equipment with structures, accessories, equipment or materials not supplied by Graco, or the improper design, manufacture, installation, operation or maintenance of structures, accessories, equipment or materials not supplied by Graco.

This warranty is conditioned upon the prepaid return of the equipment claimed to be defective to an authorized Graco distributor for verification of the claimed defect. If the claimed defect is verified, Graco will repair or replace free of charge any defective parts. The equipment will be returned to the original purchaser transportation prepaid. If inspection of the equipment does not disclose any defect in material or workmanship, repairs will be made at a reasonable charge, which charges may include the costs of parts, labor, and transportation.

THIS WARRANTY IS EXCLUSIVE, AND IS IN LIEU OF ANY OTHER WARRANTIES, EXPRESS OR IMPLIED, INCLUDING BUT NOT LIMITED TO WARRANTY OF MERCHANTABILITY OR WARRANTY OF FITNESS FOR A PARTICULAR PURPOSE.

Graco's sole obligation and buyer's sole remedy for any breach of warranty shall be as set forth above. The buyer agrees that no other remedy (including, but not limited to, incidental or consequential damages for lost profits, lost sales, injury to person or property, or any other incidental or consequential loss) shall be available. Any action for breach of warranty must be brought within two (2) years of the date of sale.

GRACO MAKES NO WARRANTY, AND DISCLAIMS ALL IMPLIED WARRANTIES OF MERCHANTABILITY AND FITNESS FOR A PARTICULAR PURPOSE, IN CONNECTION WITH ACCESSORIES, EQUIPMENT, MATERIALS OR COMPONENTS SOLD BUT NOT MANUFACTURED BY GRACO. These items sold, but not manufactured by Graco (such as electric motors, switches, hose, etc.), are subject to the warranty, if any, of their manufacturer. Graco will provide purchaser with reasonable assistance in making any claim for breach of these warranties.

In no event will Graco be liable for indirect, incidental, special or consequential damages resulting from Graco supplying equipment hereunder, or the furnishing, performance, or use of any products or other goods sold hereto, whether due to a breach of contract, breach of warranty, the negligence of Graco, or otherwise.

Graco Information

For the latest information about Graco products, visit www.graco.com.

TO PLACE AN ORDER, contact your Graco distributor or call 1-800-690-2894 to identify the nearest distributor.

*All written and visual data contained in this document reflects the latest product information available at the time of publication.
Graco reserves the right to make changes at any time without notice.*

For patent information, see www.graco.com/patents.

Original instructions. This manual contains English. MM 311068

Graco Headquarters: Minneapolis
International Offices: Belgium, China, Japan, Korea

GRACO INC. AND SUBSIDIARIES • P.O. BOX 1441 • MINNEAPOLIS MN 55440-1441 • USA

Copyright 2012, Graco Inc. All Graco manufacturing locations are registered to ISO 9001.

www.graco.com
Revised June 2017