

Trailer Hitch Conversion

3A6720B

EN

Kit Number 25N787

For the application of line striping materials.

For professional use only.

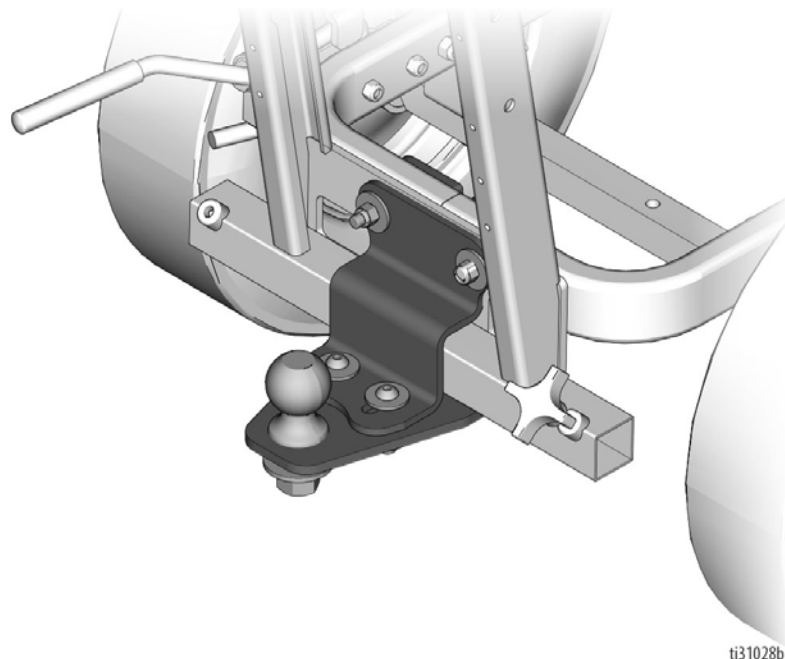
Not approved for use in explosive atmospheres or hazardous locations.

Maximum Operating Speed: 10 mph (16kph)

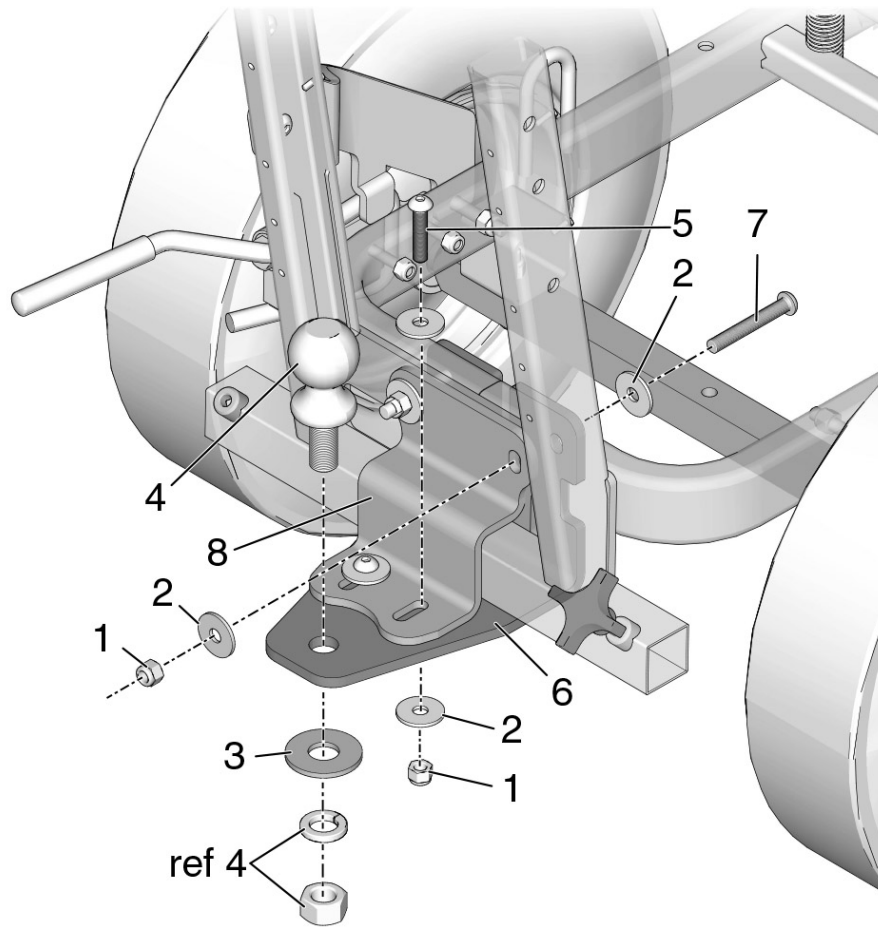


Important Safety Instructions

Read all warnings and instructions in this manual and in related LineLazer and ThermoLazer manuals. Be familiar with the controls and the proper usage of the equipment. Save these instructions.



Parts Drawing



ti31029b

Ref.	Part	Description	Qty.
1	101566	NUT, lock	4
2	108851	WASHER, plain	8
3	110947	WASHER, plain	1
4	116913	BALL, trailer	1
5	129602	SCREW, cap, button head, 3/8 x 1.75	2
6	17Z155	BRACKET, hitch mount	1
7	17Z209	SCREW, cap, button head, 3/8 x 2.75	2
8	17Z156	BRACKET, hitch brace	1

All written and visual data contained in this document reflects the latest product information available at the time of publication. Graco reserves the right to make changes at any time without notice.

Original instructions. This manual contains English. MM 3A6720

Graco Headquarters: Minneapolis

International Offices: Belgium, China, Japan, Korea

GRACO INC. AND SUBSIDIARIES • P.O. BOX 1441 • MINNEAPOLIS MN 55440-1441 • USA
Copyright 2019, Graco Inc. All Graco manufacturing locations are registered to ISO 9001.

www.graco.com

Revision B, February 2019

