

Trailer Hitch Conversion Kit 245321

309405L

EN

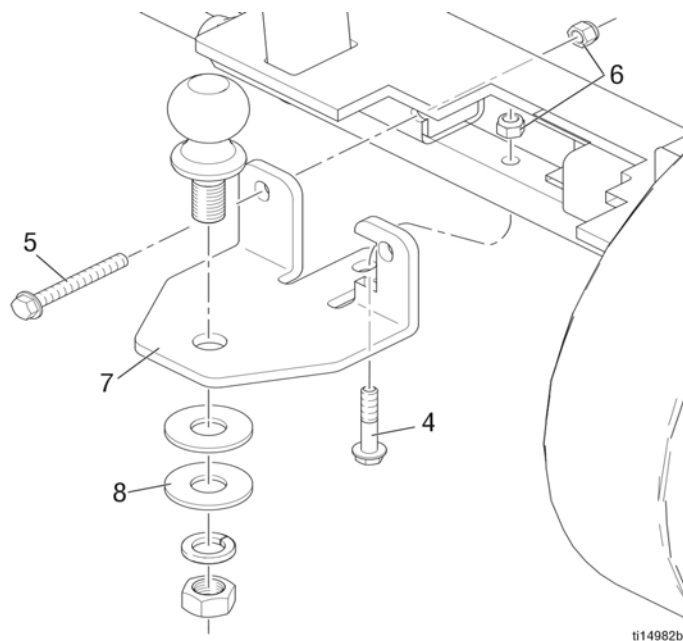


Important Safety Instructions

Read all warnings and instructions in this manual.
Save these instructions.

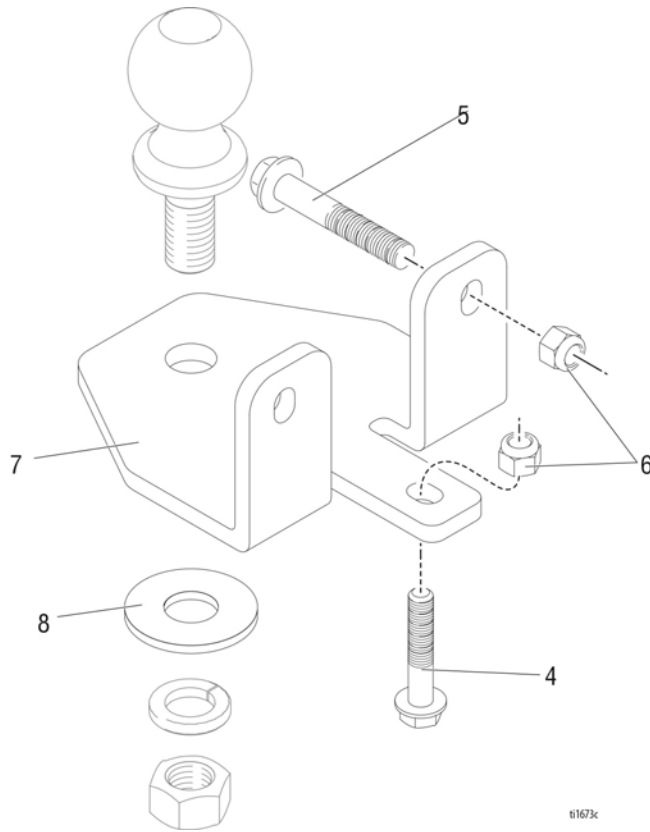
10 mph (16 kph) Maximum Operating Speed

GrindLazer 270 and 390



1. Remove ball from standard hitch assembly.
2. Align bracket (7) and assemble two locknuts (6) and bolts (5).
3. Assemble bolt (4) and locknut (6).
4. Assemble ball onto bracket (7) with washer (8) and locknut.

Parts Drawing



Ref.	Part	Description	Qty
2	116913	BALL, trailer	1
4	111194	SCREW, cap, flange hd	1
5	116935	SCREW, cap, flange hd	2
6	101566	NUT, lock	3
7	16C486	BRACKET, hitch mount, painted	1
8	110947	WASHER, plain	1

All written and visual data contained in this document reflects the latest product information available at the time of publication. Graco reserves the right to make changes at any time without notice.

For patent information, see www.graco.com/patents

Original instructions. This manual contains English. MM 309405

Graco Headquarters: Minneapolis
International Offices: Belgium, China, Japan, Korea



GRACO INC. AND SUBSIDIARIES • P.O. BOX 1441 • MINNEAPOLIS MN 55440-1441 • USA
Copyright 2009, Graco Inc. All Graco manufacturing locations are registered to ISO 9001.

www.graco.com
 Revised L, January 2020