

FieldLazer™ ES100

3A9002C
EN

For application of water-based field striping materials. For professional use only. Not approved for use in explosive atmospheres or hazardous (classified) locations.

ES100 Models: 25U542, 25U543, 25U544

1750 psi (12.1 MPa, 121 bar) maximum working pressure.

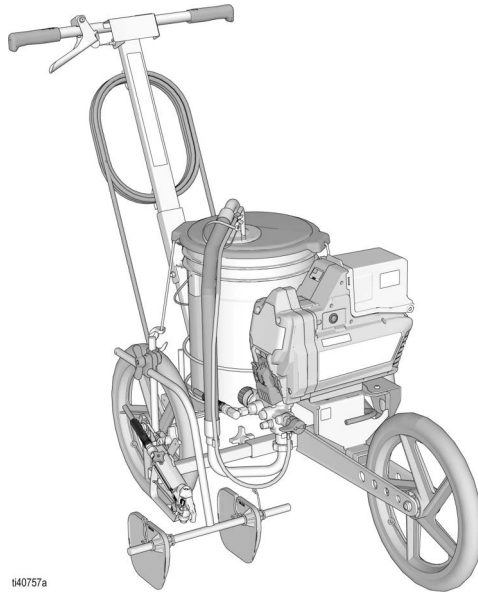


Important Safety Instructions

Read all warnings and instructions in this manual and all related manuals before using the equipment. Be familiar with the controls and the proper usage of the equipment. Save these instructions.

Related Manuals:

312830	Gun (SG2)
3A3172	Pump



140757a



*Use only genuine Graco replacement parts.
The use of non-Graco replacement parts may void warranty.*



Contents

Models	3
Warnings	4
Component Identification	7
FieldLazer Setup	8
Battery Installation and Removal	11
Pressure Relief Procedure	12
Operation	13
Flush Storage Fluid	13
Fill Pump	15
Fill Gun and Hose	16
How to Spray	17
Spray Tip Installation	17
Spray	18
Stencil Spraying	20
Spray Tip Selection	21
Clear Tip Clog	22
Cleanup	23
Cleaning InstaClean™ Fluid Filter	26
Clean the Gun	26
Storage	27
Quick Reference	28
Maintenance	29
Airless Hoses	29
Spray Tips	29
Pump Repair	29
Troubleshooting	32
Parts	36
Wiring Diagrams	43
Technical Specifications	44
California Proposition 65	45
Graco Standard Warranty	46
Graco Information	47

Models

	Model	Region	Model #	Battery Voltage VDC	Charger Voltage VAC
	ES100	USA/CA	25U542	60	120
	ES100	EMEA/UK	25U543	54	230
	ES100	ANZ/AP	25U544	54	230

The FieldLazer ES100 is compatible with the following DEWALT FLEXVOLT 54V and 60V batteries:

- DCB606 - 60V/2ah (20V/6ah)
- DCB546 - 54V/2ah (18V/6ah)
- DCB609 - 60V/3ah (20V/9ah)
- DCB547 - 54V/3ah (18V/9 ah)
- DCB548 - 54V/4ah (18V/12ah)
- DCB612 - 60V/4ah (20V/12ah)

Related DEWALT Manuals

Manual	Description	Region
N463494	DEWALT DCB118 Fast Charger Manual	USA/CA
N463510 N463511	DEWALT DCB118-QW Fast Charger Manual (Part 1 and 2)	EMEA
N501136	DEWALT DCB118-XE Fast Charger Manual	ANZ/AP

Warnings

The following warnings are for the setup, use, grounding, maintenance, and repair of this equipment. The exclamation point symbol alerts you to a general warning and the hazard symbols refer to procedure-specific risks. When these symbols appear in the body of this manual or on warning labels, refer back to these Warnings. Product-specific hazard symbols and warnings not covered in this section may appear throughout the body of this manual where applicable.

WARNING

SKIN INJECTION HAZARD

High-pressure spray is able to inject toxins into the body and cause serious injury that can result in amputation. In the event that injection occurs, **get immediate surgical treatment.**



- Do not aim the gun at, or spray any person or animal.
- Keep hands and other body parts away from the discharge. For example, do not try to stop leaks with any part of the body.
- Always use the spray tip guard. Do not spray without spray tip guard in place.
- Use Graco spray tips.
- Use caution when cleaning and changing spray tips. In the case where the spray tip clogs while spraying, follow the **Pressure Relief Procedure** for turning off the unit and relieving the pressure before removing the spray tip to clean.
- Equipment maintains pressure after power is shut off. Do not leave the equipment energized or under pressure while unattended. Follow the **Pressure Relief Procedure** when the equipment is unattended or not in use, and before servicing, cleaning, or removing parts.
- Check hoses and parts for signs of damage. Replace any damaged hoses or parts.
- This system is capable of producing 1750 psi (121 bar, 12.1 MPa). Use Graco parts or accessories that are rated a minimum of 1750 psi (121 bar, 12.1 MPa).
- Always engage the trigger lock when not spraying. Verify the trigger lock is functioning properly.
- Verify that all connections are secure before operating the unit.
- Know how to stop the unit and bleed pressure quickly. Be thoroughly familiar with the controls.

FIRE AND EXPLOSION HAZARD

Flammable fumes, such as solvent and paint fumes, in work area can ignite or explode. To help prevent fire and explosion:



- Do not spray or clean with flammable materials. Use water-based materials only.
- Use equipment only in well-ventilated area.
- Keep work area free of debris, including solvent, rags and gasoline.
- Keep a working fire extinguisher in the work area.

WARNING



EQUIPMENT MISUSE HAZARD

Misuse can cause death or serious injury.

- Always wear appropriate gloves, eye protection, and a respirator or mask when spraying.
- Do not operate or spray near children. Keep children away from equipment at all times.
- Do not overreach or stand on an unstable support. Keep effective footing and balance at all times.
- Stay alert and watch what you are doing.
- Do not operate the unit when fatigued or under the influence of drugs or alcohol.
- Do not kink or over-bend the hose.
- Do not expose the hose to temperatures or to pressures in excess of those specified by Graco.
- Do not use the hose as a strength member to pull or lift the equipment.
- Do not spray with a hose shorter than 25 feet.
- Always replace cracked, broken or missing parts immediately with genuine Graco parts, see **Parts**, see page 36.
- Do not alter or modify equipment. Alterations or modifications may void agency approvals and create safety hazards.
- Use only in dry locations. Do not expose to water or rain.
- Use in well-lit areas.
- Make sure all equipment is rated and approved for the environment in which you are using it.
- Do not operate or clean sprayer with the battery shield open.



PRESSURIZED ALUMINUM PARTS HAZARD

Use of fluids that are incompatible with aluminum in pressurized equipment can cause serious chemical reaction and equipment rupture. Failure to follow this warning can result in death, serious injury, or property damage.

- Do not use 1,1,1-trichloroethane, methylene chloride, other halogenated hydrocarbon solvents or fluids containing such solvents.
- Do not use chlorine bleach.
- Many other fluids may contain chemicals that can react with aluminum. Contact your material supplier for compatibility.



BATTERY AND CHARGER COMPATIBILITY HAZARD

- Only use DEWALT brand 54V Max or 60V Max batteries and battery chargers with this tool.
- READ ALL INSTRUCTIONS included with this tool regarding the safety and usage of DEWALT batteries and battery chargers.
- Do not wash or spray down battery.
- Do not clean the battery with anything other than a cloth moistened with water.



MOVING PARTS HAZARD

Moving parts can pinch, cut, or amputate fingers and other body parts.

- Keep clear of moving parts.
- Do not operate equipment with protective guards or covers removed.
- Equipment can start without warning. Before checking, moving, or servicing equipment, follow the **Pressure Relief Procedure** and disconnect all power sources.

Warnings

WARNING



TOXIC FLUID OR FUMES HAZARD

Toxic fluids or fumes can cause serious injury or death if splashed in the eyes or on skin, inhaled, or swallowed.

- Read Safety Data Sheets (SDSs) to know the specific hazards of the fluids you are using.
- Store hazardous fluid in approved containers, and dispose of it according to applicable guidelines.

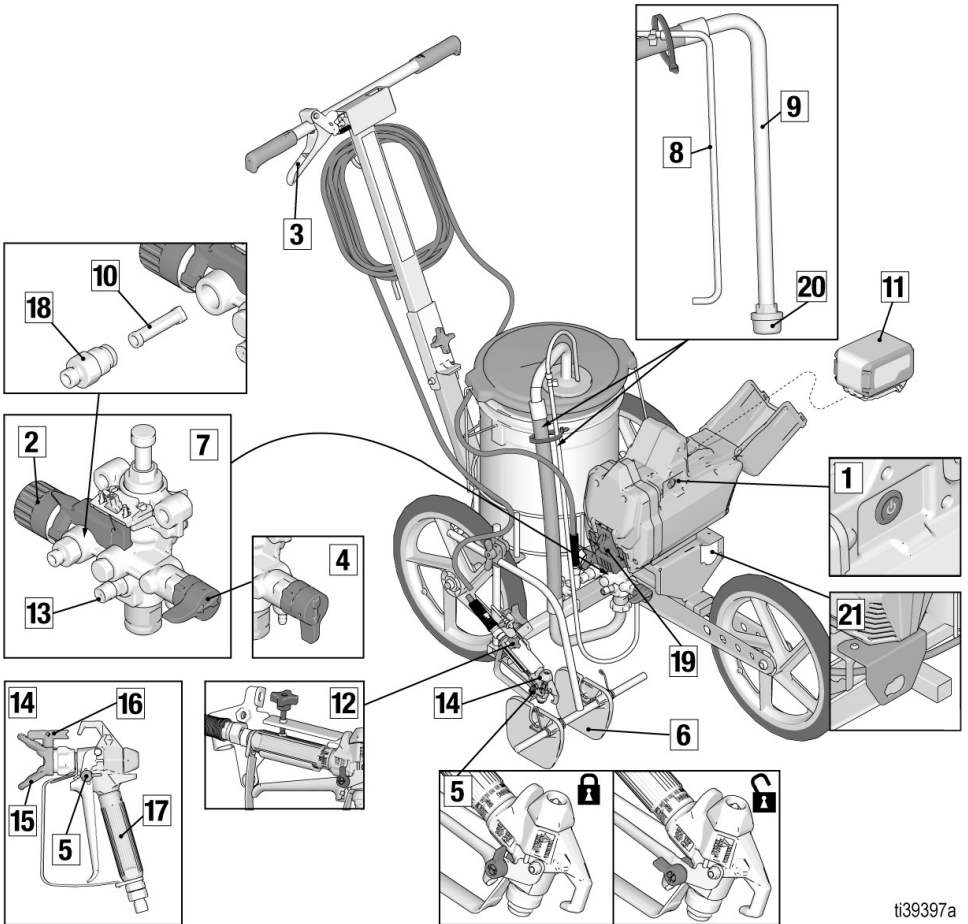


PERSONAL PROTECTIVE EQUIPMENT

Wear appropriate protective equipment when in the work area to help prevent serious injury, including eye injury, hearing loss, inhalation of toxic fumes, and burns. Protective equipment includes but is not limited to:

- Protective eyewear, and hearing protection.
- Respirators, protective clothing, and gloves as recommended by the fluid and solvent manufacturer.

Component Identification



ti39397a

1	Striper Power Switch
2	Pressure Control
3	Spray Gun Control Lever
4	Prime Valve
5	Spray Gun Trigger Lock
6	Spray Shield
7	Pump
8	Drain Tube
9	Suction Tube
10	Instaclean™ Fluid Filter (inside fluid outlet fitting)
11	Battery

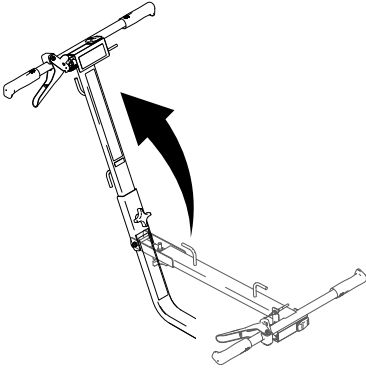
12	Gun Retainer Knob
13	Push Prime Button
14	Airless Spray Gun
15	Tip Guard
16	Reversible Spray Tip
17	Gun Fluid Filter (optional, located in handle)
18	Fluid Outlet Fitting
19	Easy Access Door
20	Inlet Strainer
21	Pump and Inlet Valve Removal Tool

FieldLazer Setup

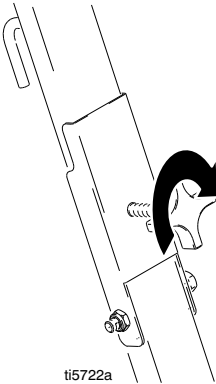
FieldLazer Setup

When unpacking FieldLazer for the first time or after long term storage perform setup procedure.

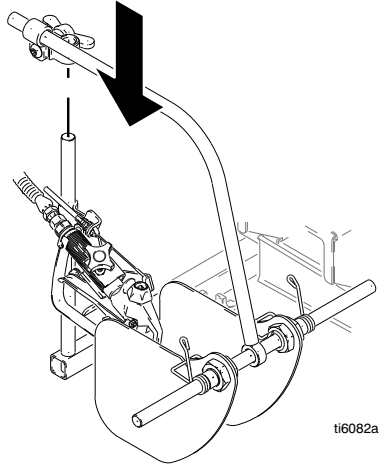
1. Remove FieldLazer from box. Unfold handle.



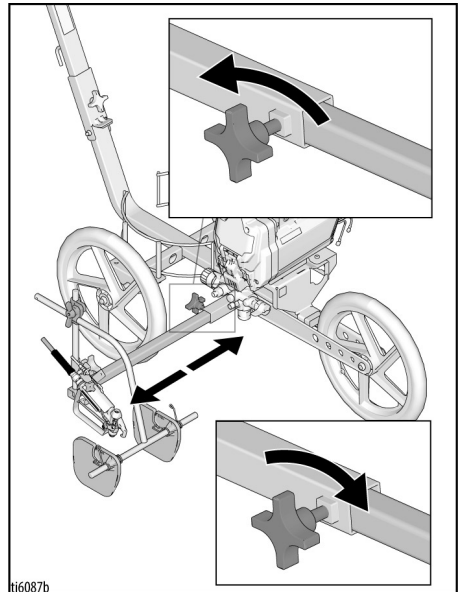
2. Tighten knob and secure handle in place.



3. Assemble shields to striper.

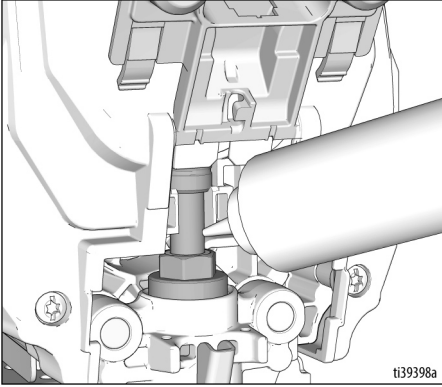


4. Loosen knob and slide spray gun outside of wheel. Tighten knob.

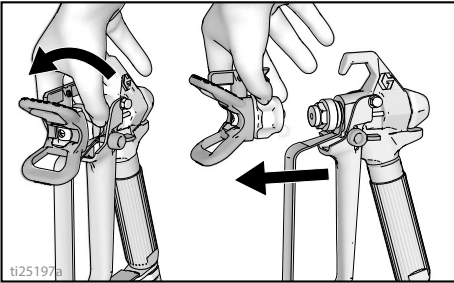


FieldLazer Setup

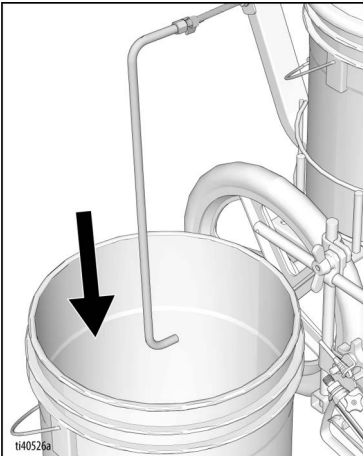
5. Fill wet cup with TSL to extend pump life.



6. Ensure tip guard and SwitchTip are removed. Do not lose seal.

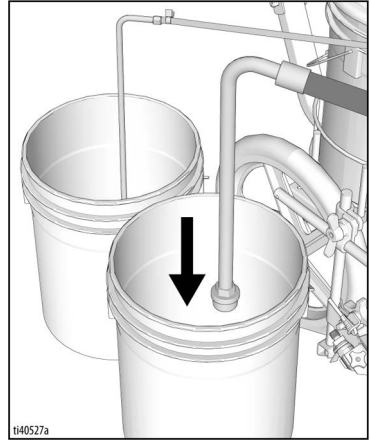


7. Place drain tube in waste pail.

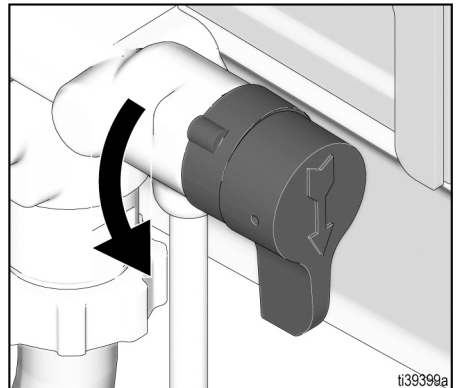


8. When unpacking FieldLazer for the first time, remove packaging materials from inlet strainer. After long term storage check inlet strainer for clogs and debris.

9. Place suction tube in water pail.

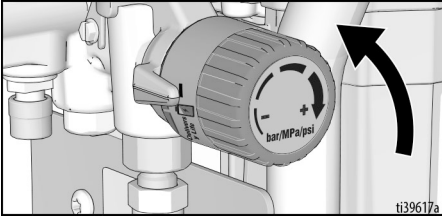


10. Turn prime valve down.



11. Turn Pressure Control Knob all the way left (counter-clockwise) to minimum pressure.

FieldLazer Setup



Strain the Paint

Previously opened paint may contain dried paint or other debris. To avoid priming problems and spray tip clogs it is recommended to strain the paint before using. Paint strainers are available where paint is sold. Stretch a paint strainer over a clean pail and pour the paint through the strainer to capture any dried paint and debris before spraying.



Battery Installation and Removal

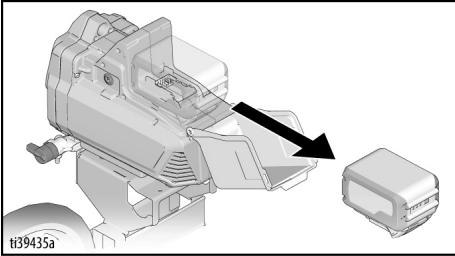
Always start with a fully charged battery. Do not splash or immerse battery or charger in water. See battery and charger information shipped with the FieldLazer.



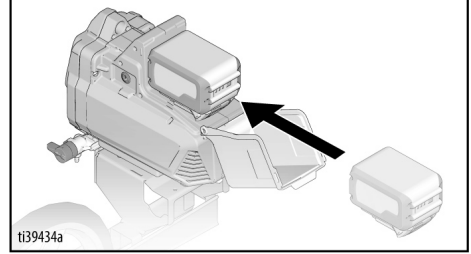
Replace and charge battery only in a well-ventilated area and away from flammable or combustible materials, including paints and solvents.

Remove and install battery into the FieldLazer as follows:

1. Open battery cover and remove the used battery, if in place.



2. Install battery by aligning the battery pack with the rails inside the FieldLazer and sliding it in until the battery pack is firmly seated. Ensure that it does not disengage. Close battery cover.



NOTICE

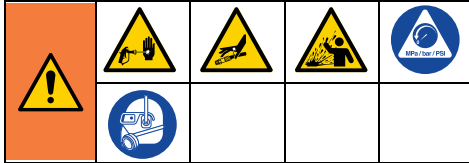
DO NOT operate unit with battery cover open as overspray and water could damage the battery.

Pressure Relief Procedure

Pressure Relief Procedure

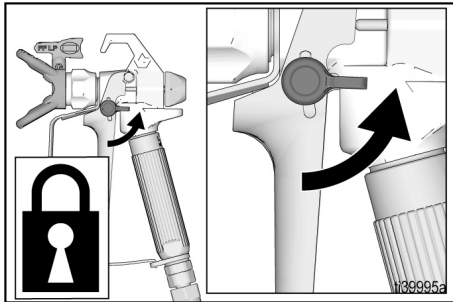


Follow the Pressure Relief Procedure whenever you see this symbol.

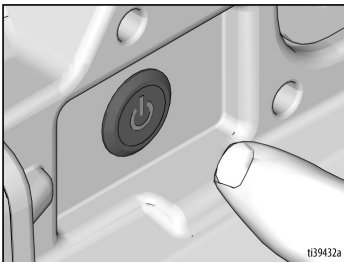


This equipment stays pressurized until pressure is manually relieved. To help prevent serious injury from pressurized fluid, such as skin injection or splashed fluid, follow the **Pressure Relief Procedure** whenever FieldLazer is stopped and before FieldLazer is cleaned or checked, and before equipment is serviced.

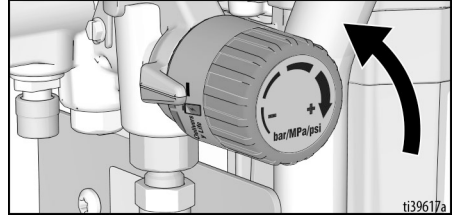
1. Engage the trigger lock. Always engage the trigger lock when FieldLazer is stopped to prevent the gun from being triggered accidentally.



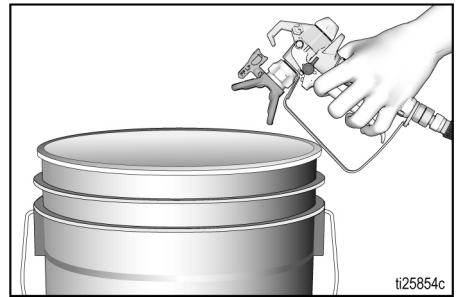
2. Turn ON/OFF switch to the **OFF** position. Power button is illuminated when power is OFF.



3. Turn pressure control to lowest setting.

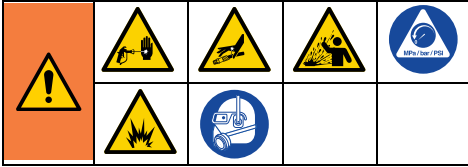


4. Hold the gun firmly to a pail, point gun into pail. Disengage the trigger lock and trigger the gun to relieve pressure.



5. Engage the trigger lock.
6. Put drain tube into a pail and place Prime/Spray valve in PRIME position (drain) to relieve pressure.
7. If you suspect the spray tip or hose is clogged or that pressure has not been fully relieved:
 - a. **VERY SLOWLY** loosen the spray tip guard retaining nut or the hose end coupling to relieve pressure gradually.
 - b. Loosen the nut or coupling completely.
 - c. Clear airless hose or spray tip obstruction.

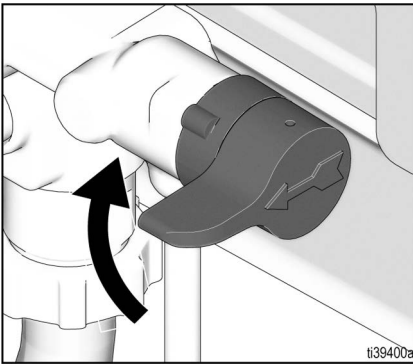
Operation



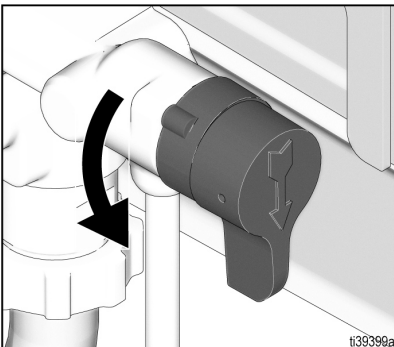
Prime/Spray Valve

The Prime/Spray Valve uses a lever that is flipped between the PRIME and SPRAY position.

SPRAY Position



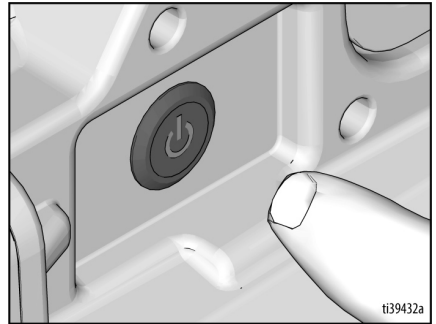
PRIME Position



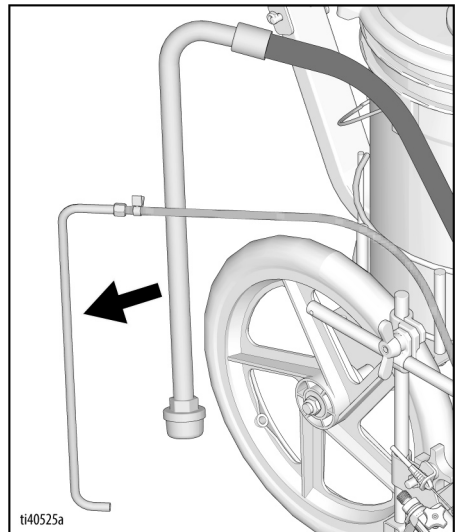
Flush Storage Fluid

This FieldLazer arrives from the factory with a small amount of test material in the system. **It is important that you flush this material from the sprayer before using it for the first time.**

1. Perform **Pressure Relief Procedure**, page 12.
2. Make certain ON/OFF switch is **OFF**. Power button is not illuminated when OFF.

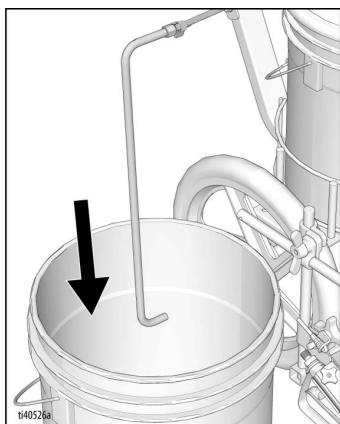


- a. Separate drain tube (smaller) from suction tube (larger).

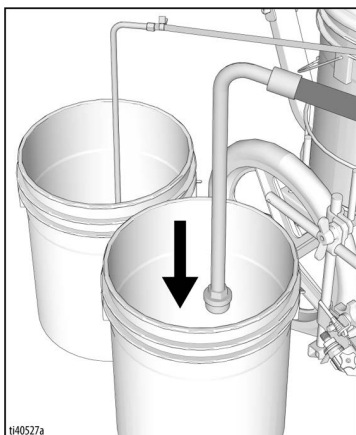


Operation

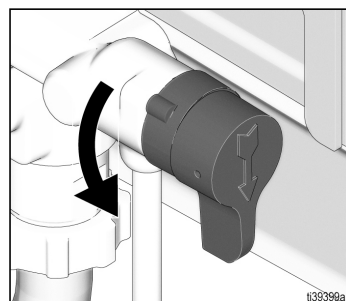
- b. Place drain tube in waste pail.



- c. Submerge suction tube in a grounded pail partially filled with water or flushing fluid.

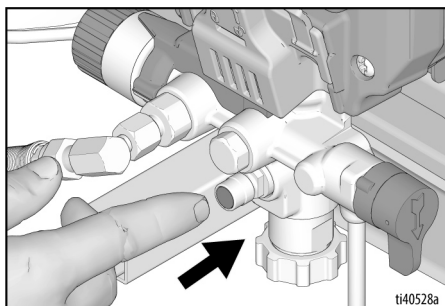


3. Place Prime/Spray valve in PRIME position.

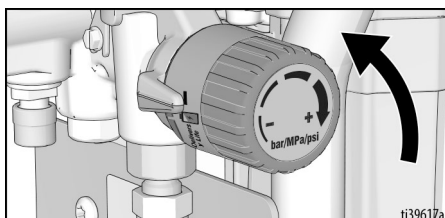


4. Install battery. See **Battery Installation and Removal**, page 11.

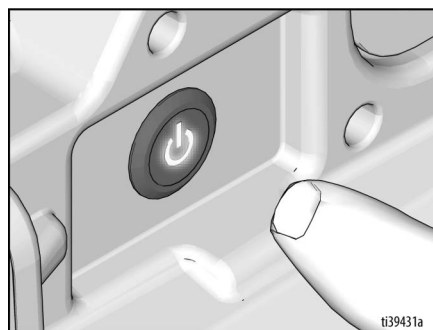
5. Press PushPrime button twice to loosen inlet ball.



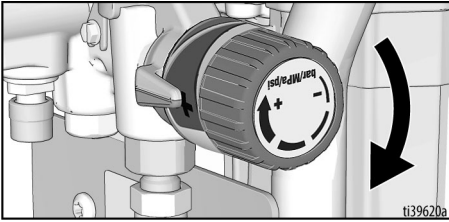
6. Align setting indicator with low setting on Pressure Control Knob.



7. Turn ON/OFF switch to **ON** position. Power button is illuminated when ON.

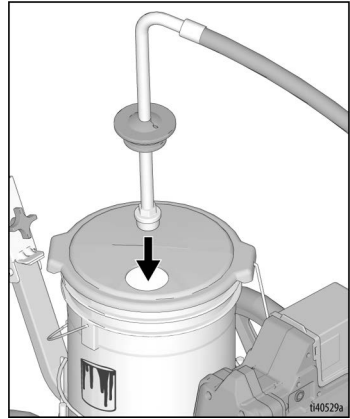
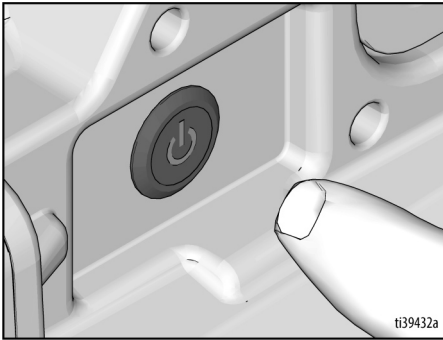


- Increase pressure 1/2 turn to start motor. Allow paint or other material to circulate through FieldLazer until material flows out the drain tube.

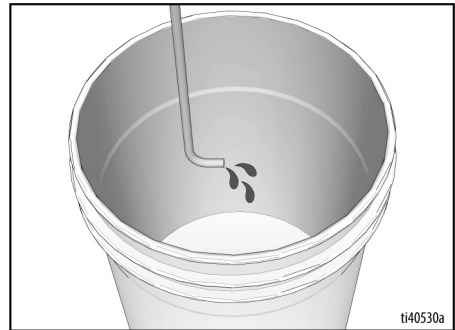


- When FieldLazer starts pumping, flushing fluid and air bubbles will be purged from system. Allow fluid to flow out of drain tube into waste pail for 30 to 60 seconds.

- Turn ON/OFF switch to **OFF** position. Power button is not illuminated when OFF.



- Press ON/OFF switch to **ON** position. Button is illuminated when power is ON.
- Wait to see paint coming out of the drain tube.



- Press ON/OFF switch to **OFF** position. Button is illuminated when power is OFF.

NOTE: Some fluids may prime faster if the ON/OFF switch is momentarily turned off so the pump can slow and stop. Turn ON/OFF switch on and off several times if necessary.

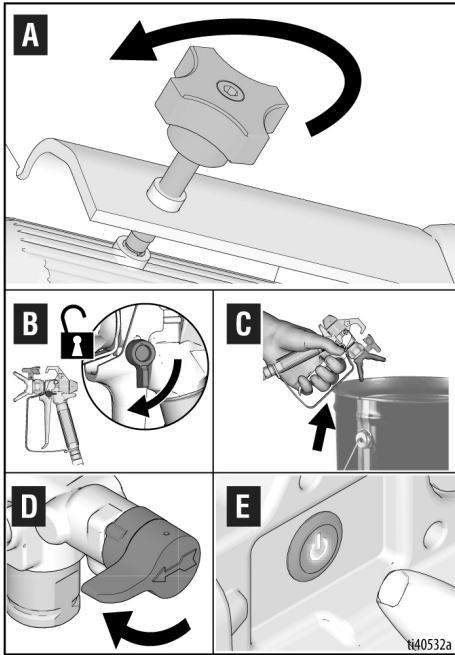
- Inspect for leaks. If leaks occur, perform **Pressure Relief Procedure**, page 12, then tighten all fittings. If there are no leaks continue with the next step.

<p>High-pressure spray is able to inject toxins into the body and cause serious bodily injury. Do not stop leaks with hand or rag.</p>				

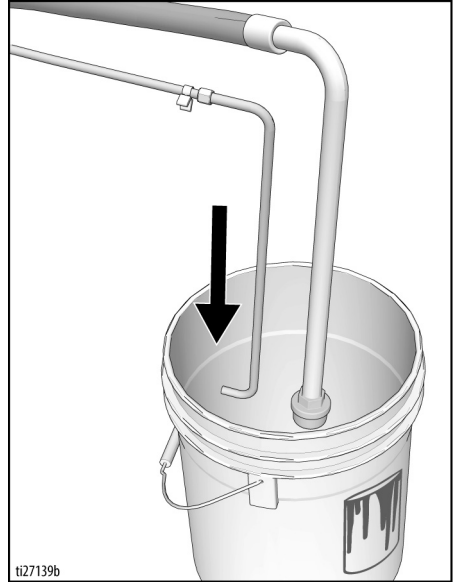
Operation

Fill Gun and Hose

1. Hold gun against waste pail. Point gun into waste pail.
 - a. Loosen gun retainer knob and remove spray gun from holder.
 - b. Disengage trigger lock.
 - c. Pull and hold gun trigger.
 - d. Turn Prime/Spray valve to SPRAY position.
 - e. Press ON/OFF switch to **ON** position. Button is illuminated when power is ON.



2. Trigger gun into waste pail until only paint comes out of the gun.
3. Release trigger. Engage trigger lock.
4. Transfer drain tube to paint pail.



NOTE: When motor stops FieldLazer is ready to paint. If motor continues to run FieldLazer is not properly primed, repeat **Fill Pump** and **Fill Gun and Hose**.

How to Spray

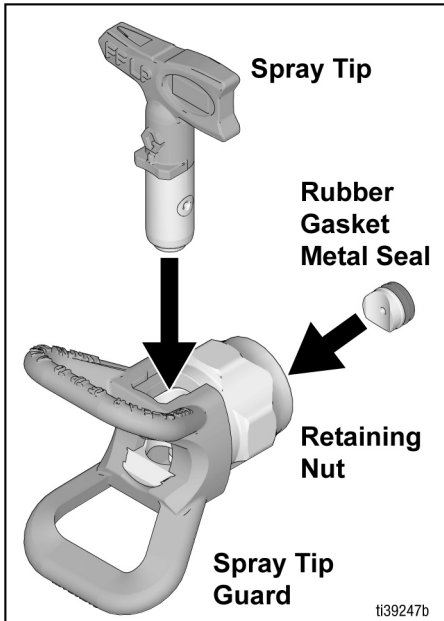
Spray Tip Installation



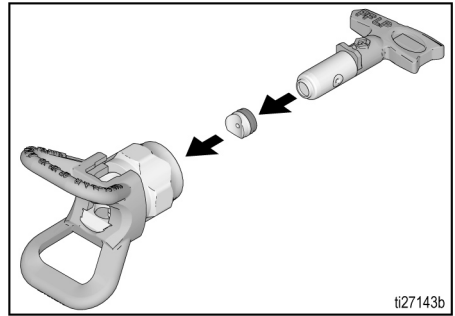
To avoid serious injury from skin injection, do not put your hand in front of the Spray Tip when installing or removing the Spray Tip or Spray Tip Guard.

To prevent spray tip leaks make certain spray tip and tip guard are installed properly.

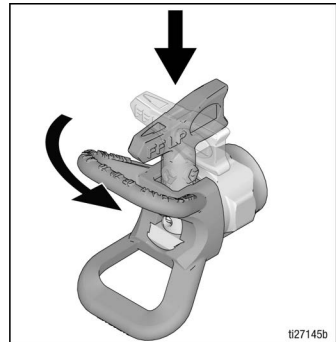
1. Perform **Pressure Relief Procedure**, page 12.
2. Engage trigger lock.
3. Loosen gun retaining knob and remove spray gun from holder.
4. Verify spray tip and tip guard parts are assembled in the order shown.



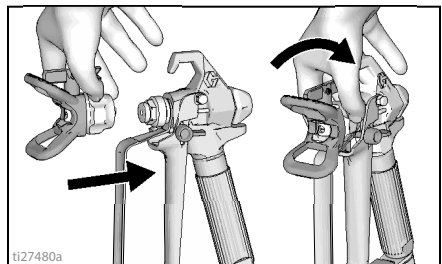
- a. Use spray tip to align gasket and seal in the tip guard.



- b. Spray tip must be pushed all the way into the tip guard. Turn spray tip to push down.

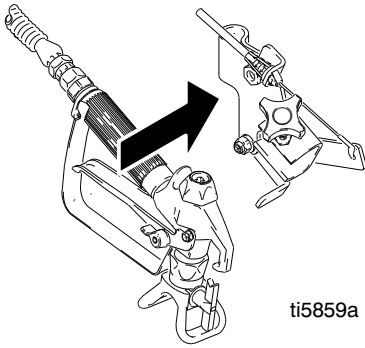


- c. Turn the arrow shaped handle on the spray tip forward to the spray position.
5. Screw spray tip assembly onto the gun and tighten.

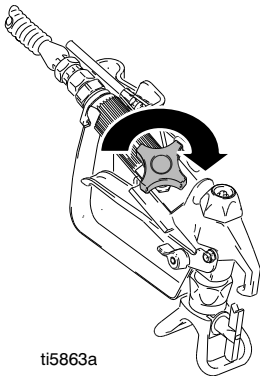
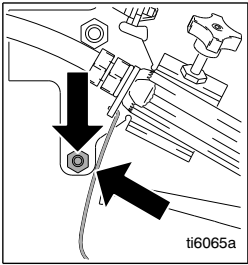


How to Spray

- Return spray gun to holder.

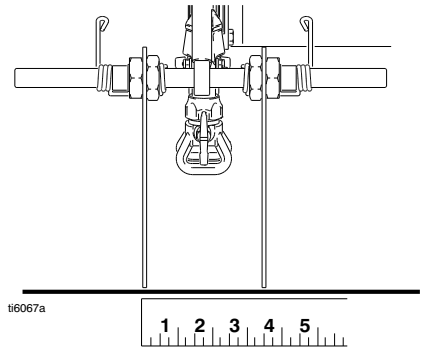


- Place trigger guard in front of nut on gun holder. Tighten knob.

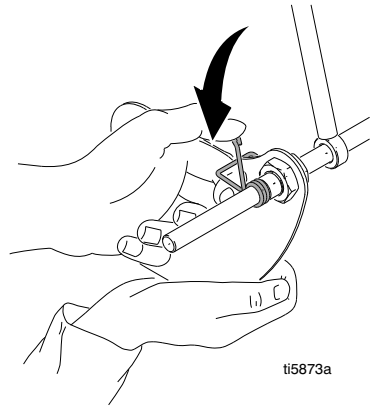


Spray

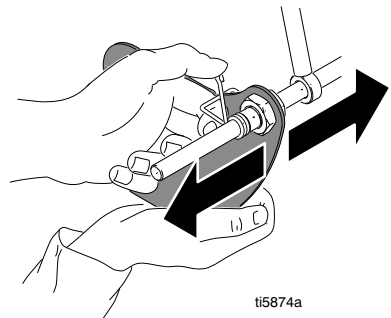
- Adjust spray shields for desired width.



- Grasp shield with one hand and squeeze spring arms with the other hand.

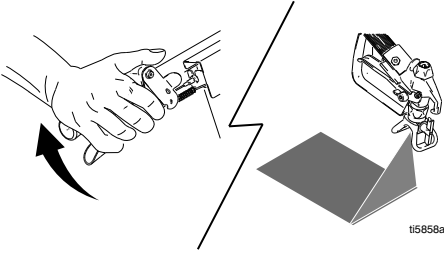


- Slide shield to desired position and release spring.

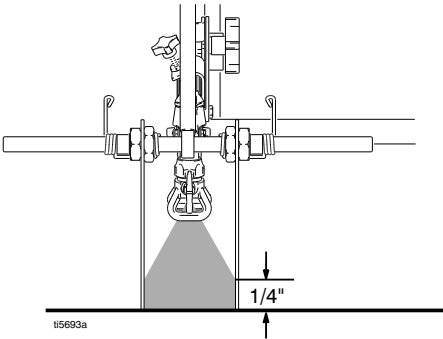


How to Spray

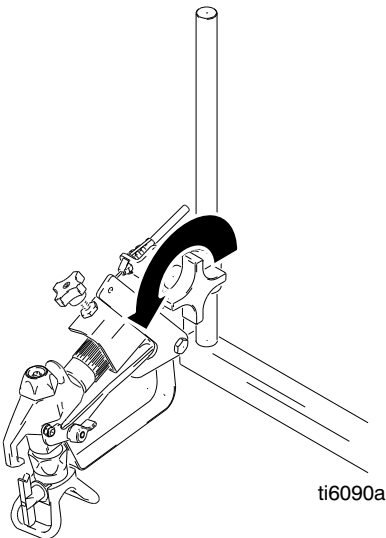
4. Squeeze spray gun control and push striper forward to spray a test stripe.



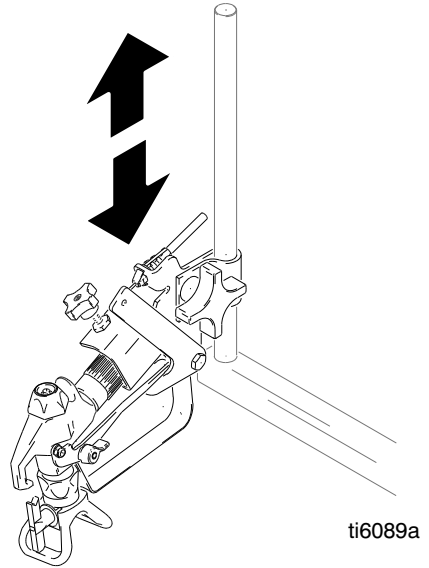
5. Adjust gun height so paint spray strikes shields 1/4 in. from bottom of shields.



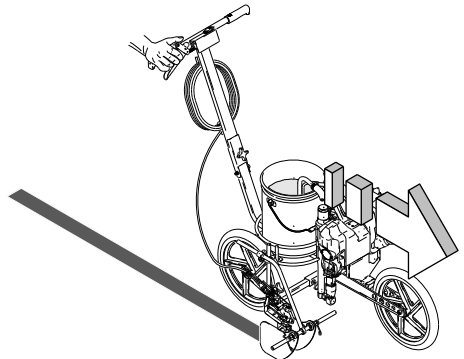
6. Loosen knob.



7. Slide spray gun up or down.



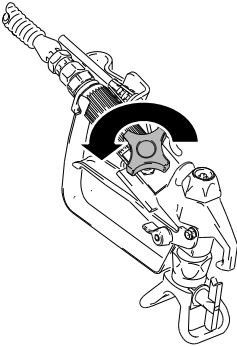
8. Spray a test stripe before spraying the actual field.



How to Spray

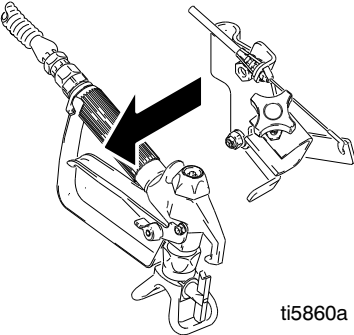
Stencil Spraying

1. Loosen gun retainer knob.



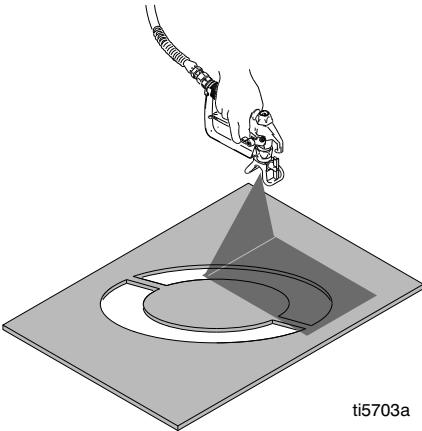
ti5862a

2. Remove gun from holder.



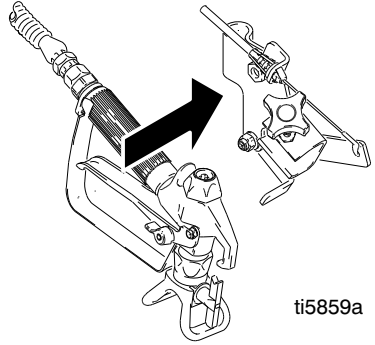
ti5860a

3. Trigger spray gun over stencil pattern.



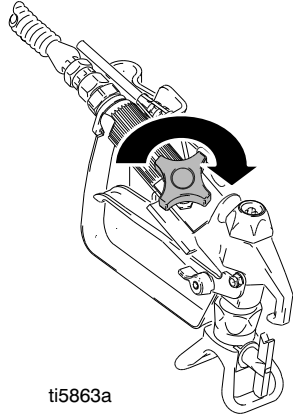
ti5703a

4. Return gun to holder.



ti5859a

5. Tighten gun retainer knob.



ti5863a

Spray Tip Selection

Selecting Tip Size

Spray tips come in a variety of hole sizes for spraying a range of fluids. Your FieldLazer includes a tip for use in most paint spraying applications.

Hints:

- As you spray, the tip wears and enlarges. Starting with a tip hole size smaller than the maximum will allow you to spray within the rated flow capacity of the sprayer.
- Use larger tip hole sizes with thicker coatings and smaller tip hole sizes with thinner coatings.
- Tips wear with use and need periodic replacement.
- Tip hole size controls flow rate - the amount of paint that comes out of the gun.

Fan Width

Fan width is the size of the stripe pattern, which determines the area covered with each stroke.

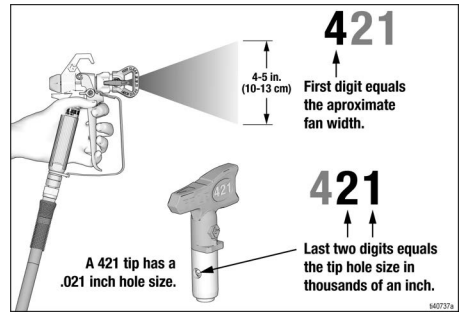
Hints:

- Select a fan width best suited to the surface being sprayed.
- Wider fans allow provide better coverage on broad, open surfaces.
- Narrower fans provide better control on small, confined surfaces.

Understanding Tip Number

The last three digits of tip number (i.e.: LL5421) contain information about hole size and fan width on surface when gun is held 6 in. (15.2 cm) from surface being sprayed.

Rac5 tips are measured at 6 in. (15.2 cm) from surface.



How to Spray

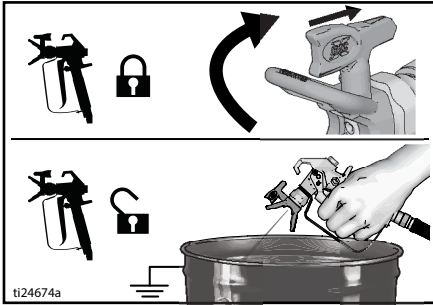
Clear Tip Clog

In the event that particles or debris clog the spray tip, this sprayer is designed with a reversible spray tip that quickly and easily clears the particles without disassembling the sprayer.

See **Strain the Paint**, page 10 for additional information.

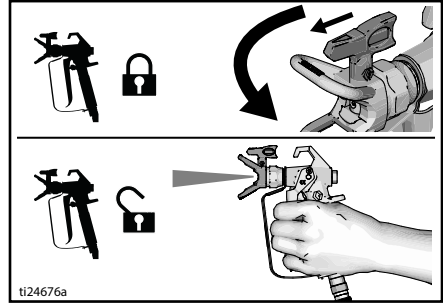
1. Release trigger. Engage trigger lock. Rotate spray tip to unclog position. Disengage trigger lock. Trigger gun at waste area to clear clog.

Unclog



2. Engage trigger lock. Rotate spray tip back to spray position. Disengage trigger lock and continue spraying.

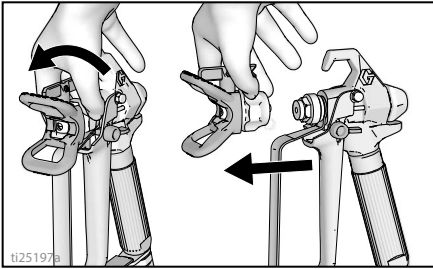
Spray



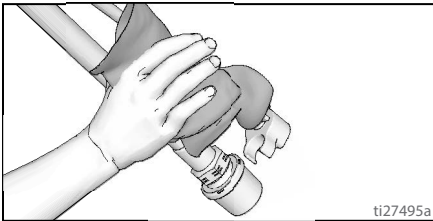
Cleanup

Cleaning the FieldLazer after each use results in a trouble free start-up the next time the spray is used.

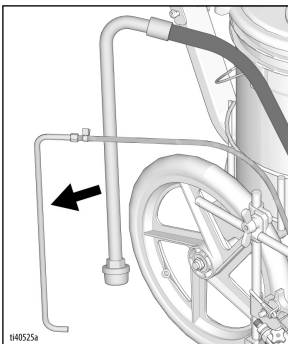
1. Perform **Pressure Relief Procedure**, page 12.
2. Remove tip guard and spray tip, see **Spray Tip Installation**, page 17.



3. Remove suction tube and drain tube from paint, wipe excess paint off outside.



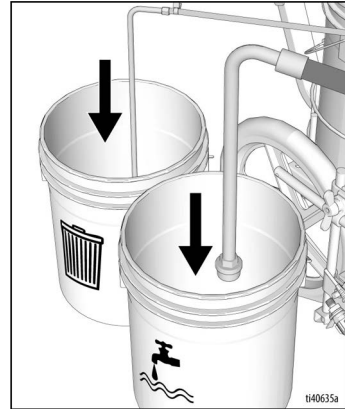
4. Separate drain tube (smaller) from suction tube (larger).



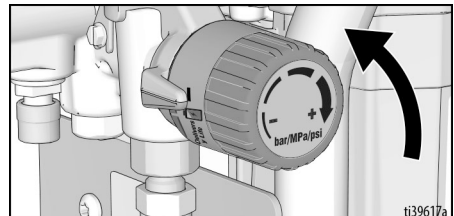
5. Place empty waste and water pails side by side.



6. Place suction tube in water and drain tube in waste pail.

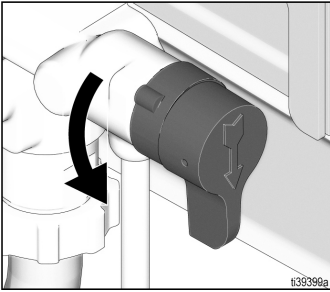


7. Turn Pressure Control Knob to the Prime/Clean setting (the lowest setting at which the pump will run).



Cleanup

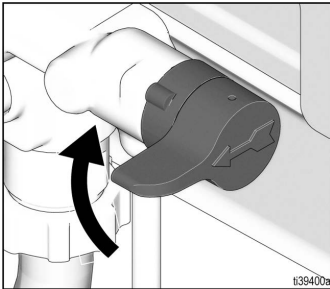
8. Place Prime/Spray valve in PRIME position.



9. Press ON/OFF switch to power **ON**. Button is illuminated when ON.
10. Flush until approximately 1/3 of the water is emptied from the pail or the fluid is clear.
11. Press ON/OFF switch to power **OFF**. Button is not illuminated when OFF.

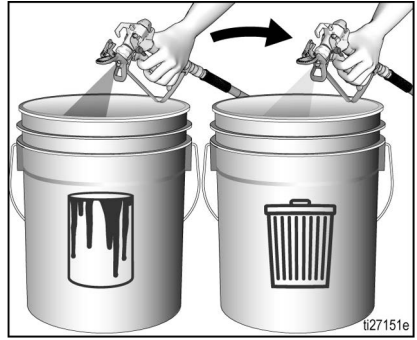
NOTE: Step 12 is for returning paint in airless paint hose to paint pail. One 50 ft (15 m) hose holds approximately 1 quart (1 liter) of paint.

12. To recover paint in hose:
- Hold gun firmly
 - Point gun into paint pail.
 - Disengage trigger lock.
 - Pull and hold gun trigger.
 - Place Prime/Spray valve in SPRAY position.

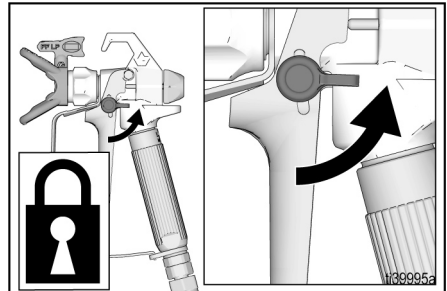


- Press ON/OFF switch to power **ON**. Button is illuminated when ON.
- Continue to hold gun trigger until you see paint diluted with water starting to come out of gun.

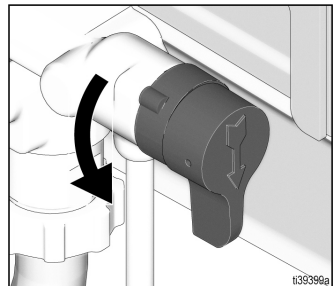
13. While continuing to trigger gun, quickly move gun to redirect spray into a waste pail. Continue triggering gun into waste pail until flushing fluid dispensed from gun is relatively clear.



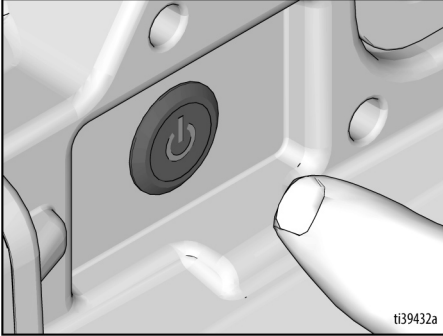
14. Stop triggering gun. Engage the trigger lock.



15. Place Prime/Spray valve in PRIME position.

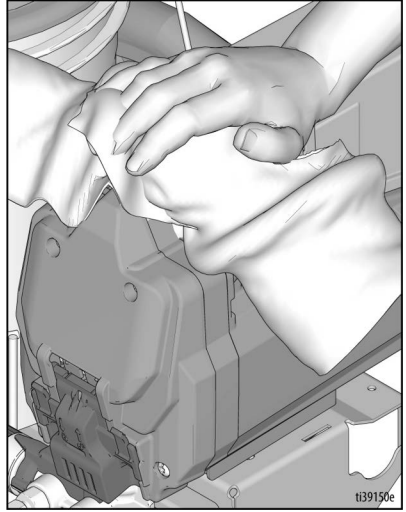


16. Press ON/OFF switch to power **OFF**. Button is not illuminated when OFF.



17. Clean filters. See **Cleaning InstaClean™ Fluid Filter**, page 26.
18. Clean the gun, see **Clean the Gun**, page 26. Reference separate gun manual for additional information.
19. Fill unit with Pump Armor™ fluid to leave a protective coating to prevent freezing or corrosion.

20. Remove battery, see **Battery Installation and Removal**, page 11.
21. Wipe sprayer, hose, and gun with a rag soaked in water.

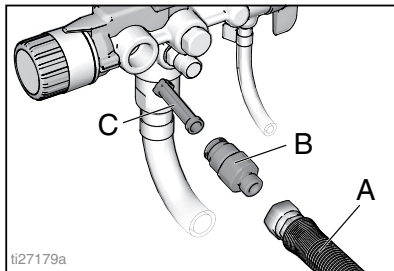


Cleaning InstaClean™ Fluid Filter

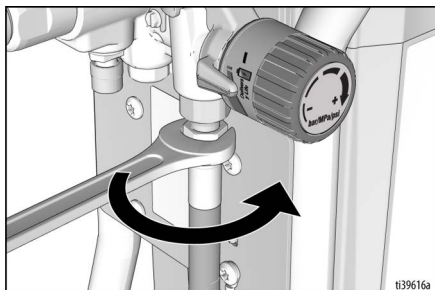
(Optional)

The InstaClean Fluid Filter prevents particles from entering paint hose. After each use, remove and clean it to ensure peak performance.

1. Perform **Pressure Relief Procedure**, page 12, and remove battery, see **Battery Installation and Removal**, page 11.
2. Disconnect airless spray hose (A) from sprayer.
3. Unscrew outlet fitting (B).
4. Remove InstaClean Fluid Filter (C).

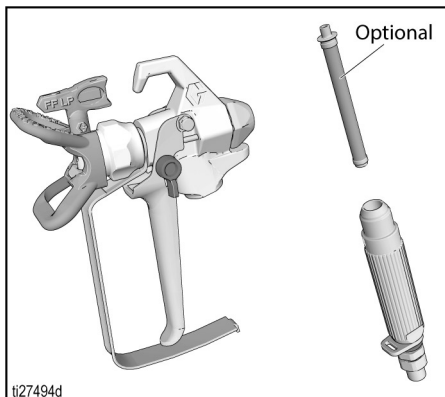


5. Check InstaClean Fluid Filter (C) for debris. If needed, clean filter with water or flushing solvent and a soft brush.
 - a. Install closed (square) end of InstaClean Fluid Filter (C) in sprayer.
 - b. Screw outlet fitting (B) into sprayer.
6. Tighten outlet fitting and reconnect hose (A) to sprayer. Use wrench to tighten securely.

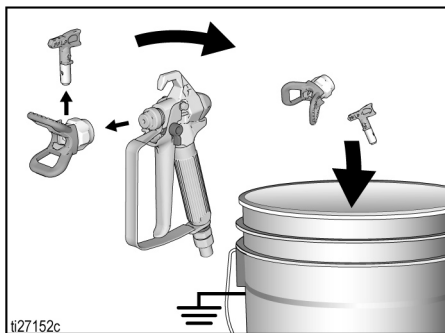


Clean the Gun

1. Perform **Pressure Relief Procedure**, page 12, and remove battery, see **Battery Installation and Removal**, page 11.
2. If optional gun filter is installed, clean gun fluid filter with water or flushing fluid and a brush every time you flush the system. Replace gun filter if damaged.



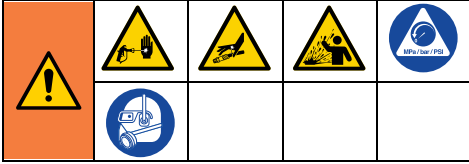
3. Remove spray tip and tip guard assembly and clean with water or flushing fluid and a brush.



4. Wipe paint off outside of gun using a soft cloth moistened with water or flushing fluid.

Storage

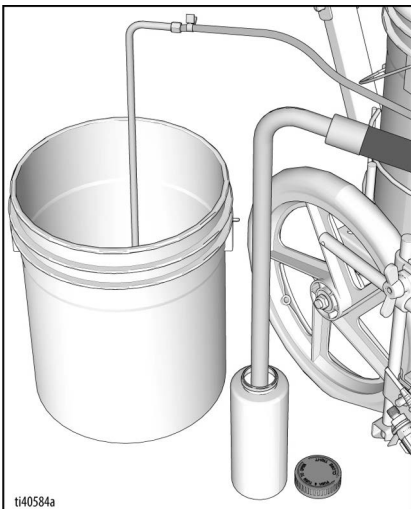
With proper storage, the FieldLazer will be ready to use the next time it is needed.



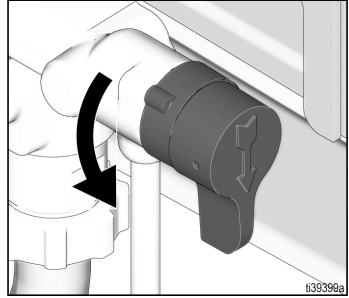
Always circulate Pump Armor storage fluid through system after cleaning. Water left in sprayer will corrode and damage pump.

Follow **Cleanup**, page 23, and **Cleaning InstaClean™ Fluid Filter**, page 26.

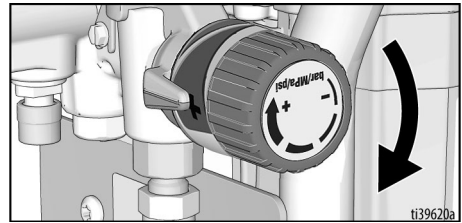
- Before storing FieldLazer make sure all water is drained out of sprayer and hoses.
 - Do not allow water to freeze in FieldLazer or hose.
 - Do not store FieldLazer under pressure.
 - Store FieldLazer indoors.
1. Perform **Pressure Relief Procedure**, page 12.
 2. Place suction tube in Pump Armor fluid bottle and drain tube in waste pail.



3. Place Prime/Spray valve in PRIME position.



4. Press ON/OFF switch to **ON** position. Button is illuminated when ON.
5. Turn pressure control knob clockwise until the pump turns on.



6. When storage fluid comes out of drain tube (5-10 seconds) turn ON/OFF switch to **OFF** position.
7. Place Prime/Spray valve in **SPRAY** position to keep storage fluid in FieldLazer during storage. If Pump Armor is run through the hose and gun, relieve pressure by triggering the gun prior to storage.
8. Secure a plastic bag around suction and drain tube to catch any drips.
9. Remove battery, see **Battery Installation and Removal**, page 11.

Quick Reference

Ref	Name	Description
1	Striper power switch	Turns sprayer ON and OFF.
2	Pressure control knob	Increases (clockwise) and decreases (counter-clockwise) fluid pressure in pump, hose, and spray gun. To select function, align symbol on pressure control knob with setting indicator, page 12.
3	Sprayer gun control	Trigger located on sprayer handle that remotely operates gun trigger.
4	Prime valve	<ul style="list-style-type: none"> • In PRIME position directs fluid to drain tube. • In SPRAY position directs pressurized fluid to paint hose. • Automatically relieves system pressure in over-pressure situations.
5	Gun trigger lock	Prevents accidental triggering of spray gun.
6	Spray shield	Adjustable spray shields to control line width.
7	ProXChange™ pump	Pumps and pressurizes fluid and delivers it to paint hose.
8	Drain tube	Drains fluid in system during priming and pressure relief.
9	Fluid intake (suction) tube	Draws fluid from paint pail into pump.
10	InstaClean™ fluid filter	<ul style="list-style-type: none"> • Filters fluid coming out of pump to reduce tip plugging and improve finish. • Self cleans only during pressure relief.
11	Battery	Provides power to the sprayer (see page 3 for compatible batteries).
12	Gun retainer knob	Retains gun in gun holder on sprayer frame.
13	PushPrime button	Taps the inlet ball when pushed to loosen it.
14	Airless spray gun	Dispenses fluid.
15	Tip guard	Reduces risk of fluid injection injury.
16	Reversible spray tip	<ul style="list-style-type: none"> • Atomizes fluid being sprayed, forms spray pattern and controls fluid flow according to hole size. • Reverse position unclogs plugged tips without disassembly.
17	Gun fluid filter (optional)	Filters fluid entering spray gun to reduce tip clogs.
18	Fluid outlet fitting	Threaded connection for airless hose.
19	Easy access door	Easy Access Door permits quick access to the pump. Open pump door by pulling out on the tabs while sliding door away from the pump inlet.
20	Inlet strainer	Prevents debris from entering pump.

Maintenance

Routine maintenance is important to ensure proper operation of your striper.



Activity	Interval
Inspect/clean InstaClean filter, fluid inlet strainer, and gun filter.	Daily, or each time you spray
Inspect motor shroud openings for blockage.	Daily, or each time you spray

NOTICE

Protect the internal drive parts of this sprayer from water. Openings in shroud allow cooling of mechanical parts and electronics inside. If water gets into these openings, the sprayer could malfunction or be permanently damaged.

Airless Hoses

Check hose for damage every time you spray. Do not attempt to repair hose if hose jacket or fittings are damaged. Do not use hoses shorter than 25 ft (7.6 m). Wrench tighten, using two wrenches.

Spray Tips

- Always clean tips with compatible cleaning fluid and brush after spraying.
- Tips may require replacement after 15 gallons (57 liters) or they may last through 60 gallons (227 liters) depending on abrasiveness of paint.

Pump Repair

When pump packings wear, paint will begin to leak down outside of pump.

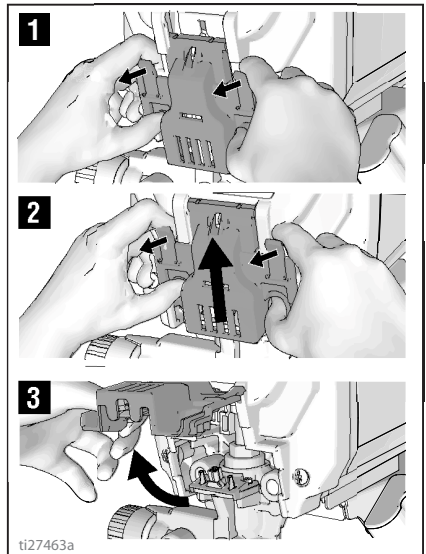
- Purchase a pump repair kit and install according to instructions provided with kit, before your next job.

- See **Pump Removal**, page 29 and **Pump Installation**, page 31, or consult a Graco authorized retailer, distributor, or service center.

Pump Removal

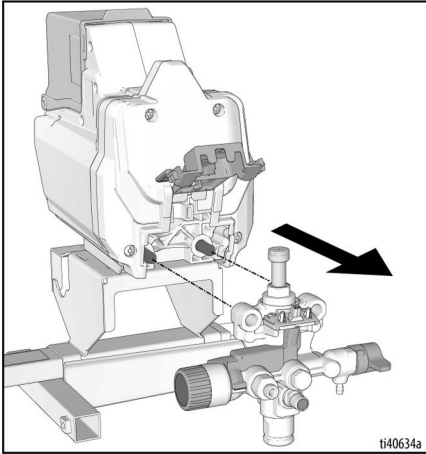
Always perform **Pressure Relief Procedure**, page 12, and remove battery, see **Battery Installation and Removal**, page 11, before starting any pump repairs.

- Pull tabs on sides of the easy access door pump towards you while pushing the entire door away from the inlet end of the pump.
- Lift the door so that it swivels out of the way.



Maintenance

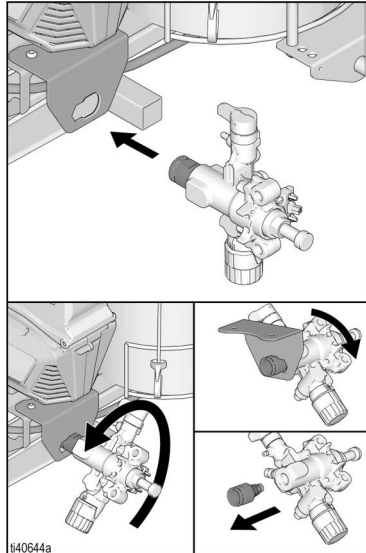
- Slide pump assembly off the mounting pins.



Inlet Valve Removal

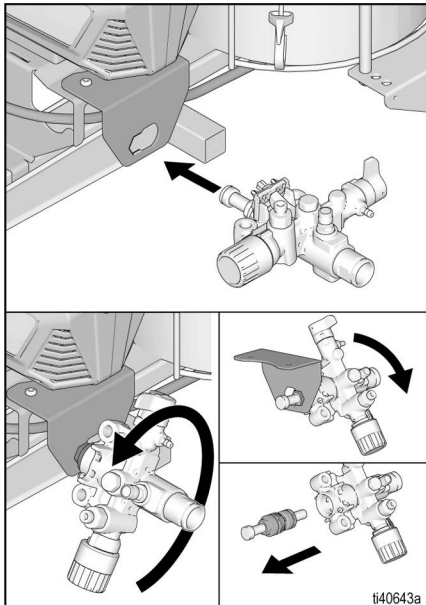
An integrated tool is included in the frame to remove the inlet valve assembly from the pump. If you suspect that the inlet valve is clogged or stuck, remove the valve assembly and clean or replace.

- Remove suction tube or hopper from sprayer.
- Insert pump inlet into frame and loosen the inlet valve. Remove inlet valve.



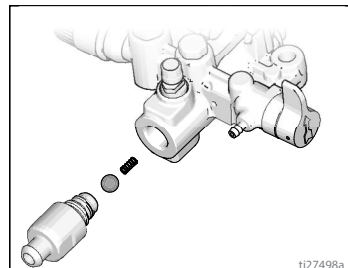
ProXChange Removal Tool

An integrated tool is included in the frame to remove the ProXChange packing assembly. See pump repair manual for complete repair instructions.



NOTICE

Do not lose the ball and spring inside the inlet valve assembly. It may fall out when the inlet valve is removed. Pump will not prime without the ball and spring.

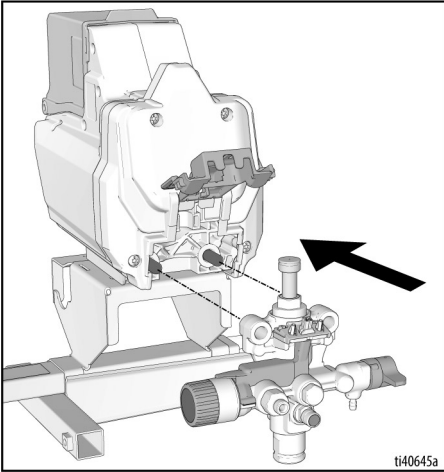


3. Clean any debris and dried paint from the cavity and replace the ball and spring. Tighten inlet valve to pump using integrated tool on the frame.

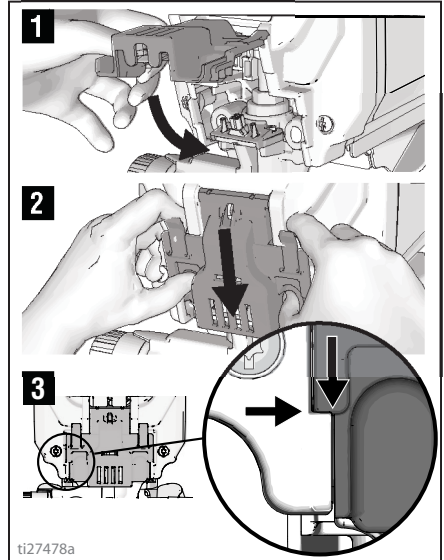
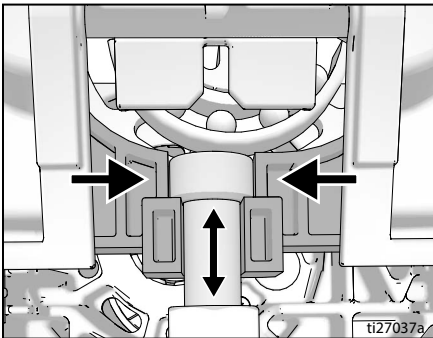
3. Swing easy access door pump door closed while pushing the entire door towards the inlet end of the pump.

Pump Installation

1. Slide pump assembly onto the mounting pins.

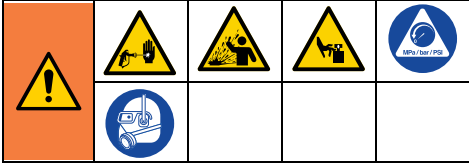


2. Move pump displacement rod up or down until cap is level with the opening in the yoke.



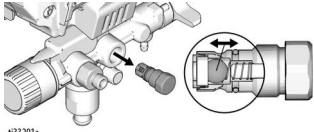
NOTE: Door must be fully closed and latched before sprayer will operate.

Troubleshooting



1. Follow **Pressure Relief Procedure**, page 12, before checking or repairing.
2. Solutions at the beginning of each problem listed are the most common. Start at the beginning and continue down the list to find a solution.
3. Check everything in this Troubleshooting Table before you bring the sprayer to an authorized service center.

Problem	Cause	Solution
Motor does not run: (verify battery is correctly installed and fully charged, and power switch is on)	Easy access door not fully closed.	Verify that easy access door is closed and latched. See page 31.
	Pressure control knob is set at zero pressure.	Turn pressure control knob clockwise to increase pressure setting.
	Pump is seized. (Paint has hardened in pump or water is frozen in pump).	Turn ON/OFF switch off and remove battery. If frozen do NOT try to start sprayer until it is completely thawed or it may damage the motor, control board and/or drive train. Place sprayer in warm area for several hours. If not frozen, check for hardened paint in pump. If paint has hardened in pump. See Pump Removal , page 29. If motor does not turn with pump repaired, consult a Graco authorized retailer, distributor, or service center.
	Motor or control is damaged.	Consult a Graco authorized retailer, distributor, or service center.
	Battery has insufficient charge.	Charge battery.
Battery is defective.	Replace battery.	

Problem	Cause	Solution
FieldLazer runs, but pump does not prime or loses prime while in use.	Inlet valve check ball is stuck.	Press PushPrime button to dislodge the ball allowing pump to prime properly.
(Pump cycles but does not pump paint or build pressure).	Prime/Spray Valve is in SPRAY position.	Turn Prime/Spray Valve down to PRIME position until paint exits drain tube. The pump is now primed.
	Pump was not primed with flushing fluid.	Remove suction tube from paint. Prime pump with oil or water-based flushing fluid. See page 13.
	(Thick fluids may not prime if not initially primed with flushing fluid.)	
	Debris in paint.	Strain the paint. See page 10.
	Thick or "sticky" paint.	Some fluids may prime faster if the ON/OFF switch is momentarily turned off so the pump can slow and stop. Turn ON/OFF switch on and off several times if necessary.
	Inlet strainer is clogged or suction tube is not immersed in paint.	Clean debris off inlet strainer and make sure suction tube is immersed in paint.
	Inlet valve check ball or seat is dirty.	Remove inlet fitting. Clean or replace ball and seat. See page 30.
	Suction tube is leaking.	Inspect suction tube connection for cracks or vacuum leaks.
	Outlet valve check ball is stuck.	Unscrew outlet valve, remove, and clean assembly.
		See Pump Repair , page 29. Then reprime pump.
		Remove inlet and/or outlet valves and clean, replace and reprime. See Fill Pump , page 15.
		Make certain to not lose the ball and spring of the inlet valve assembly or the sprayer will not function. See Inlet Valve Removal , page 30.
		Make certain the outlet ball moves free in the housing before replacing.
		
	Prime/Spray Valve is worn or obstructed with debris.	Take sprayer to Graco authorized service center.

Troubleshooting

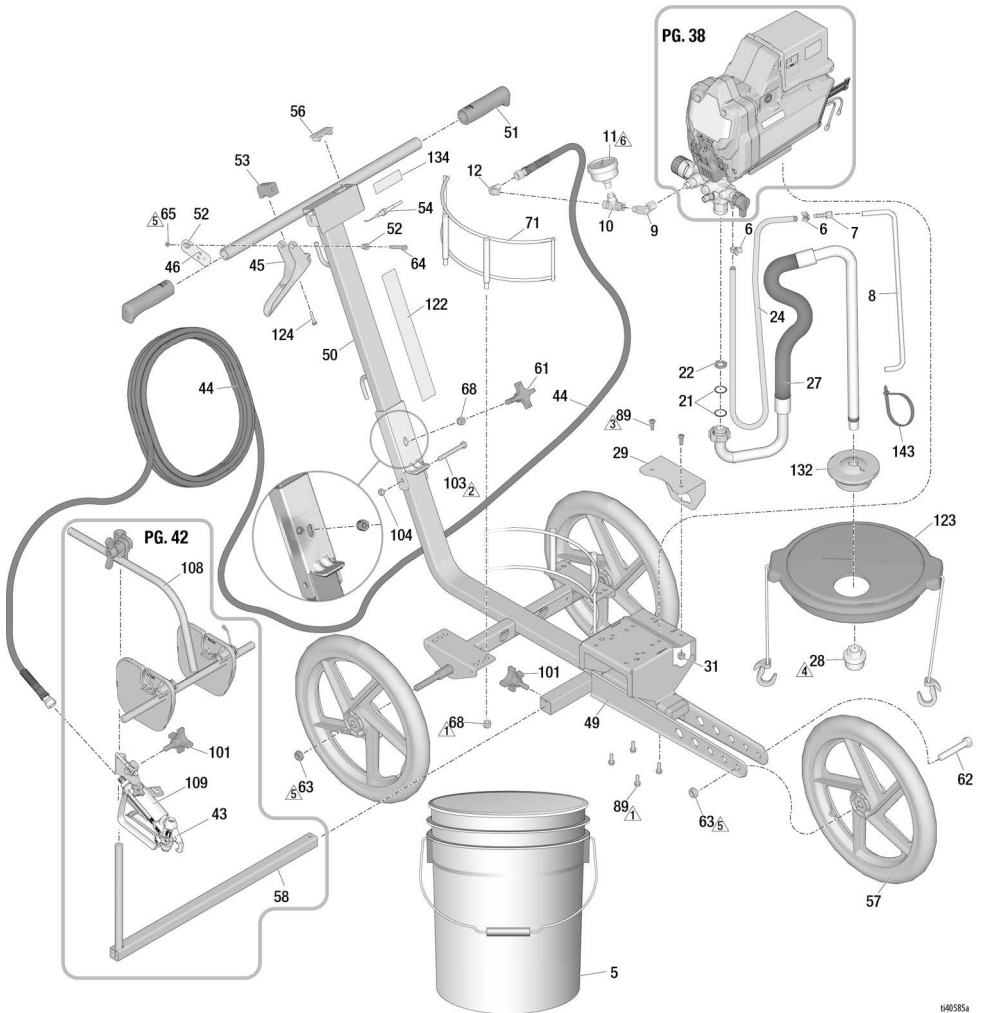
Problem	Cause	Solution
Pump is primed, but can not achieve good spray pattern.	Spray tip may be partially clogged.	Clear spray tip clog. See, Clear Tip Clog , page 22.
	Reversible spray tip is in UNCLOG position.	Rotate arrow-shaped handle on spray tip so it points forward to SPRAY position. See page 17.
	Debris in paint.	Strain the paint. See page 10.
	Pressure is set too low.	Align pressure control knob setting indicator to desired spray setting. See page 17.
	InstaClean fluid filter is clogged.	Clean or replace InstaClean fluid filter. See page 26.
	Spray gun fluid filter is clogged.	Clean or replace gun fluid filter. See page 26.
	Spray tip selected is too large for capability of sprayer.	Replace tip. See page Spray Tip Installation , page 17.
	Spray tip is worn beyond the capability of sprayer.	Replace tip. See Spray Tip Installation , page 17.
	Spray tip gasket and seal worn or missing.	Replace gasket and seal. See page 17.
	Inlet strainer is clogged or suction tube is not immersed in paint.	Clean debris off inlet strainer and make sure suction tube is immersed in paint.
	Battery has insufficient charge for tip support.	Charge battery or reduce tip size.
	Inlet pump valve or outlet pump valve is worn or clogged with debris.	<p>Check for worn or contaminated inlet valve or outlet valve.</p> <ul style="list-style-type: none"> - Prime sprayer with paint. - Trigger gun momentarily. - When trigger is released, pump should cycle momentarily and stop. - If pump continues to cycle, pump valves may be worn or contaminated with debris. - Clean or replace valves with appropriate kits. See page 41.
	Bumpy turf.	Use spray shields.
	Cold weather.	Warm paint or thin with water.
	Material is too thick.	Thin material. Follow manufacturer's recommendations.
Airless hose is too long (if extra section was added).	Remove section of airless hose.	
Spray gun stopped spraying while trigger is pulled.	Spray tip is clogged.	Clear spray tip clog. See, Clear Tip Clog , page 22.
	Sprayer lost prime.	See troubleshooting section "Sprayer runs, but pump does not prime or loses prime while in use" on page 32.
When paint is sprayed, coverage is excessive.	Material is being applied too thick.	Move gun faster.
		Choose a spray tip with smaller hole size.
		Choose spray tip with wider fan.
		Make sure gun is far enough from surface.

Problem	Cause	Solution
When paint is sprayed, coverage is inadequate.	Material is being applied too thin.	Move gun slower.
		Choose spray tip with larger hole size.
		Choose spray tip with narrower fan.
		Make sure gun is close enough to surface.
Fan pattern varies dramatically while spraying.	Pressure control switch is worn and causing excessive pressure variation.	Take sprayer to Graco authorized service center.
Cannot trigger spray gun.	Spray gun trigger lock is engaged.	Rotate trigger lock to disengage trigger lock. See page 8.
Paint is coming out of pressure control.	Pressure control is worn.	Take sprayer to Graco authorized service center.
Paint is leaking through drain tube.	Sprayer is over pressurizing.	Take sprayer to Graco authorized service center.
Paint leaks down outside of pump.	Pump packings are worn.	Replace pump packings with new ProXChange module. See page 29.
Motor is hot and runs intermittently. Motor automatically shuts off due to excessive heat. Damage can occur if cause is not corrected.	Vent holes in enclosure are plugged or sprayer is covered.	Keep vent holes clear of obstructions and overspray and keep sprayer open to air.
	Battery has insufficient charge.	Charge battery.
	Motor needs to be replaced.	Take FieldLazer to Graco authorized retailer, distributor, or service center.
FieldLazer makes no sound when pressure control is ON and ON/OFF switch is ON (illuminated).	ON/OFF switch light blinks two times when pressure control is ON. Indicates incorrect voltage.	Replace battery with charged battery.
		Battery has reached end of life. Replace battery.
		Motor damaged, replace motor assembly.
	ON/OFF switch light blinks three times when pressure control is ON. Indicates battery temperature is too hot or too cold.	Allow battery to cool down or warm up to room temperature.
	ON/OFF switch light blinks four times when pressure control is ON. Indicates locked rotor condition.	Replace pump and/or motor assembly.
ON/OFF switch does not illuminate when pressed.	Indicates battery is not installed, has insufficient charge, or is damaged.	Install battery correctly, ensure battery is fully charged, or replace battery.
	Control board is damaged.	Replace control board.

FieldLazer ES100 Parts

FieldLazer ES100 Parts

Ref.	Torque	Ref.	Torque	Ref.	Torque
	90-110 in-lb (10.2-12.4 N•m)		40-50 in-lb (4.5-5.6 N•m)		Tighten nut, back off 1/4 - 3/8 to allow free rotation
	115-135 in-lb (13-15.3 N•m)		Hand tighten		180-220 in-lb (20.3-24.9 N•m)



140585a

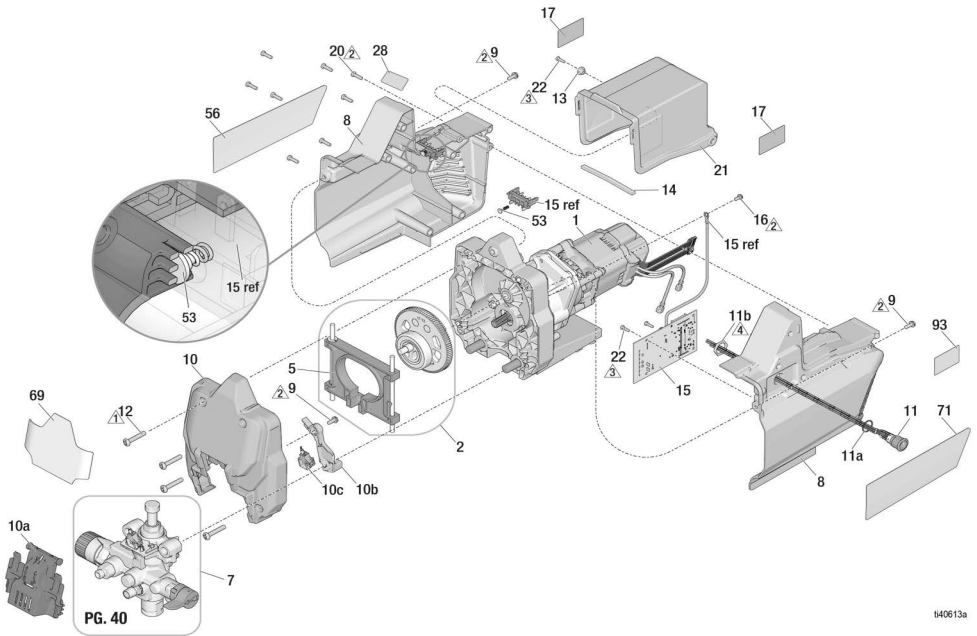
FieldLazer ES100 Parts List

Ref.	Part	Description	Qty.	Ref.	Part	Description	Qty.
5	115077	PAIL, plastic	1	50	15F645	HANDLE, field marker	1
6	115489	CLAMP, drain tube	2	51	116139	GRIP, handle	2
7	19D359	FITTING, barb, 1/4 in. NPT	1	52	111017	BEARING, flange	2
8	20A922	KIT, hose, drain, <i>includes</i> 6, 7, 24	1	53	198896	BLOCK, mounting (mach)	1
9	155541	FITTING, swivel, 90°, models 25U543, 25U544	1	54	119534	CABLE, gun	1
10	119783	FITTING, tee, swivel, models 25U543, 25U544	1	56	19D422	COVER, plug, panel switch	1
11	113641	GAUGE, pressure, fluid, models 25U543, 25U544	1	57	119528	TIRE, semi-pneumatic	3
12	110249	ADAPTER, male, elbow, 90°, models 25U543, 25U544	1	61	108471	KNOB, pronged	1
21	117559	O-RING	2	62	101147	SCREW, cap, hex hd	1
22	115099	WASHER, hose	1	63	119547	NUT, hex, lock, nylon, thin	3
24	15R392	HOSE, drain	1	64	116941	SCREW, shoulder, socket hd	1
27	20A921	KIT, hose, suction, <i>includes</i> 21, 22, 28	1	65	129476	NUT, lock	1
28	276897	KIT, strainer, 7/8 - 1/4 UNF	1	68	101566	NUT, lock	5
29	19D490	PLATE, pump tool	1	71	15E955	HOLDER, bracket	2
31	102040	NUT, lock, hex	2	82	238049	FLUID, TSL, 4oz	1
44	240793	HOSE, coupled. 1/4 in. X 25 ft.	1	89	260212	SCREW, mach, slt hex hd	6
45	245676	HANDLE	1	101	111145	KNOB, pronged	1
46	198895	PLATE, lever, pivot	1	103	113664	SCREW, cap, hex hd	1
49	15F646	FRAME, field marker	1	104	112746	NUT, hex	1
				122	15F238	LABEL, FieldLazer, S100 handle	1
				123	24U241	KIT, pail cover	1
				124	128803	SCREW, 10-24 x 1.5 in., taptite, phil	1
				132	278723	GASKET, pail	1
				134		LABEL, identification	1

ES100 Airless Sprayer Module Parts

ES100 Airless Sprayer Module Parts

Ref.	Torque	Ref.	Torque	Ref.	Torque
①	110-120 in-lb (12-14 N•m)	④	35-45 in-lb (4-5 N•m)		
②	30-35 in-lb (2.4-4 N•m)	⑤	23-27 in-lb (2.6-3 N•m)		
③	8-10 in-lb (0.9-1.1 N•m)	⑥	80-90 in-lb (9-10.2 N•m)		



840613a

ES100 Airless Sprayer Module Parts List

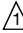
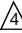
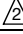
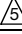
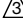
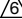
ES100 Airless Sprayer Module Parts List

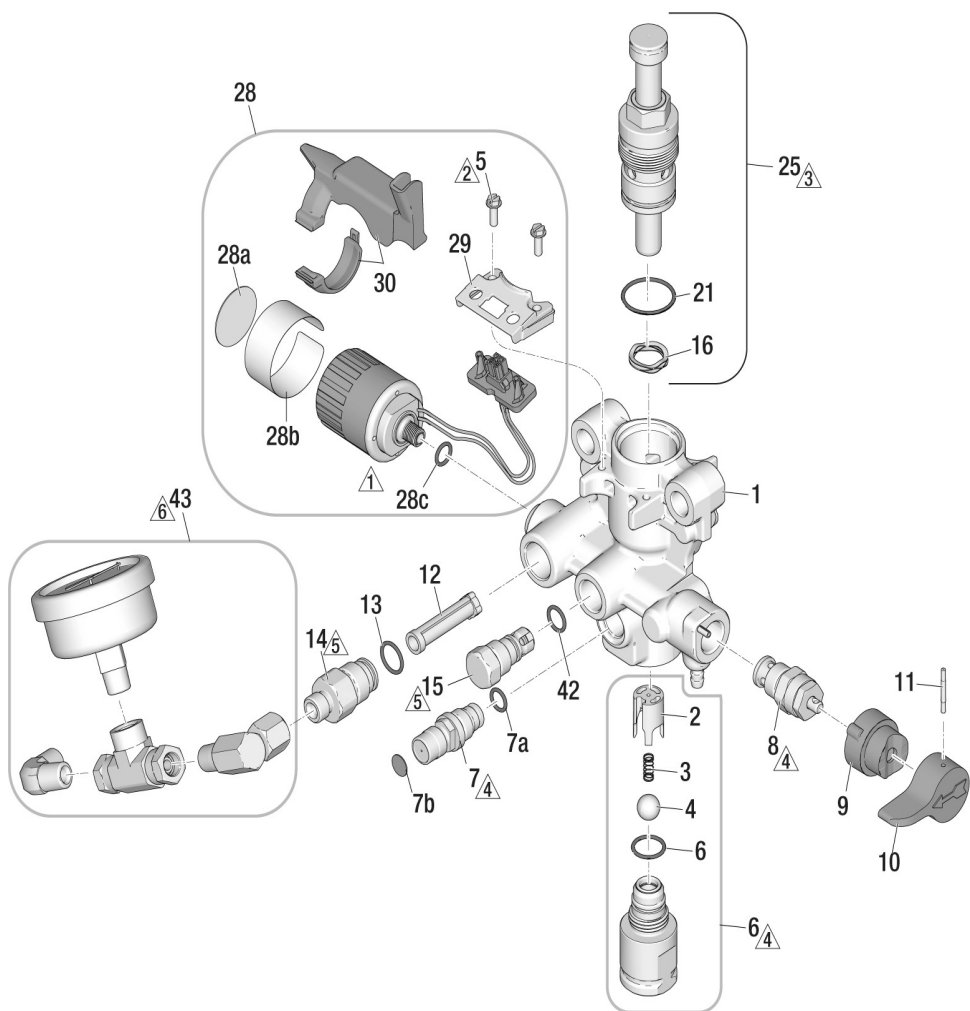
Ref.	Part	Description	Qty.	Ref.	Part	Description	Qty.
1*	20A066	KIT, motor, <i>includes 34</i>	1	45	19D357	KIT, gauge, pressure	1
2		KIT, gear and yoke, <i>includes 5</i>	1	53	20A052	SPRING, pin, assembly	1
	17J869	Models: 25U542 NA, 25U544 ANZ		56 ▲		LABEL, warning	1
	17J863	Model: 25U543 EMEA			19D435	Model 25U542	
5	17J864	KIT, yoke	1		19D437	Model 25U543	
7	20A883	KIT, pump, displacement	1		19D439	Model 25U544	
8	20A920	KIT, shield, motor, <i>includes 9, 20, 28, 70, 71, 93</i>	1	57▲		CARD, medical alert (not shown)	1
9	118444	SCREW, mach, hwhd 10-24 x 0.5 in.	2		17A134	Model 25U544	
10	17J866	KIT, cover, frt, <i>includes 9, 10a, 10b, 10c, 12</i>	1		222385	EN, ES, FR, model 25U543, 25U542	
10a	17F233	COVER, pump, locking	1	58		BATTERY, DEWALT (not shown)	1
10b	17F262	COVER, wire	1		20A162	NA/CA, 60V, 6ah, model 25U542	
10c	128551	CABLE, PC, jumper	1		20A163	EMEA, 54V, 6ah, model 25U543	
11	20A336	SWITCH, ON/OFF	1		20A164	ANZ/AP. 54V, 6ah, model 25U544	
11a		O-RING, power switch	1		20A756	60V, 9ah, USA/CA, model 25U542	
11b		NUT, power switch	1		20A757	54V, 9ah, EMEA/UK, model 25U543	
12	115478	SCREW, mach, Torx, pan hd	4		20A758	54V, 9ah, ANZ, model 25U544	
13	20A010	BUTTON, door hinge	1	59		CHARGER, fast, DEWALT (not shown)	1
14	19D421	GASKET, cover	1		20A166	EMEA, 54V, model 25U543	
15		KIT, control, <i>includes 18, 52</i>	1		20A165	NA/CA, 60V, model 25U542	
	20A919	Models: 25U542 NA, 25U544 ANZ			20A167	ANZ/AP, 54V, model 25U544	
	20B396	Model: 25U543 EMEA		69	19D347	LABEL, front	1
16	115498	SCREW, mach, slot, hex whd	1	71	19D348	LABEL, right	1
17	20A309	LABEL, DEWALT	2	93	17P925	LABEL, A+, models 25U543, 25U544	1
20	115477	SCREW, mach, torx, pan hd.	8		17P924	LABEL, A+, model 25U542	1
21	20A980	KIT, cover, battery, <i>includes 13, 14, 17, 22</i>	1	111	124507	ADAPTER, UK power, model 25U543 (not shown)	1
22	119236	SCREW, mach, torx pan hd	3				
28	16D576	LABEL, made in USA	1				
34	128795	SCREW, hwh, thread forming	4				
41	17J444	STRAP. carry (not shown)	1				

▲ Replacement safety labels, tags, and cards are available at no cost.

Pump Assembly Parts

Pump Assembly Parts

Ref.	Torque	Ref.	Torque	Ref.	Torque
	140-160 in-lb (15.8-18 N•m)		222-280 in-lb (25-31.6 N•m)		
	270-330 in-lb (30.5-37.3 N•m)		320-380 in-lb (36.2-43 N•m)		
	30-35 in-lb (3.4-4 N•m)		180-220 in-lb (20.3-24.9 N•m)		



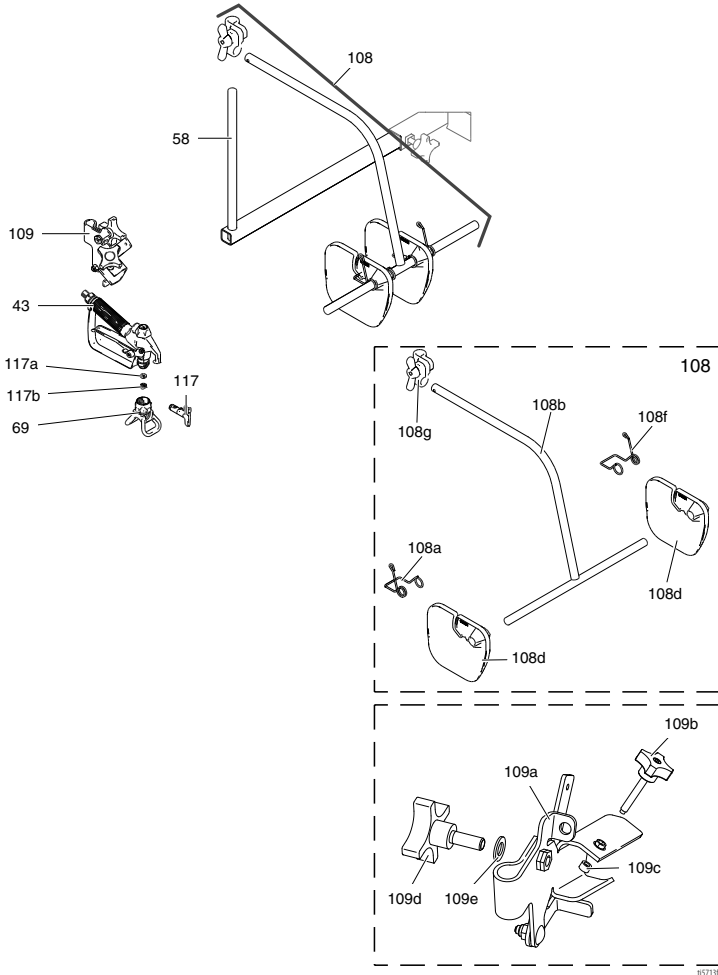
ti40614a

Pump Assembly Parts List

Ref.	Part	Description	Qty.	Ref.	Part	Description	Qty.
1	17G447	HOUSING, pump	1	14	24Y327	KIT, repair outlet, <i>includes 12, 13</i>	1
2	17D364	GUIDE, ball	1	15	17J880	KIT, outlet valve repair <i>includes 42</i>	1
3	128336	SPRING, compression	1	16	128323	SPRING, valve	1
4	105445	BALL, 0.5 in.	1	21	16D531	PACKING, O-ring	1
5	117501	SCREW, mach, slot HWH	2	25	24Y472	KIT, repair, piston pump, <i>includes 16, 21</i>	1
6	17J877	KIT, inlet housing, <i>includes 2, 3, 4, 6a</i>	1	28	20A884	KIT, pressure control, <i>includes 5, 28a, 28b, 28c, 29, 30</i>	1
6a	124582	PACKING, O-ring	1	28a	15A464	LABEL, control	1
7	17J878	KIT, PushPrime, <i>includes 7a, 7b</i>	1	28b	19Y865	LABEL, control	1
7a	16P303	PACKING, O-ring	1	28c	106555	O-ring	1
7b	17K420	LABEL, PushPrime	1	29	17F227	BRACKET, electrical connector	1
8	235014	KIT, valve, drain, <i>includes 9, 10, 11</i>	1	30	17F229	KIT, shield, wire	1
9	224807	BASE, valve	1	42	122486	PACKING, O-ring	1
10	187625	HANDLE, valve, drain	1	43	19D357	MODULE, assembly, pressure gauge, models 25U543, 25U544	1
11	111600	PIN, grooved	1				
12	288747	KIT, filter (Not installed on all models.)	1				
13	120776	PACKING, O-ring	1				

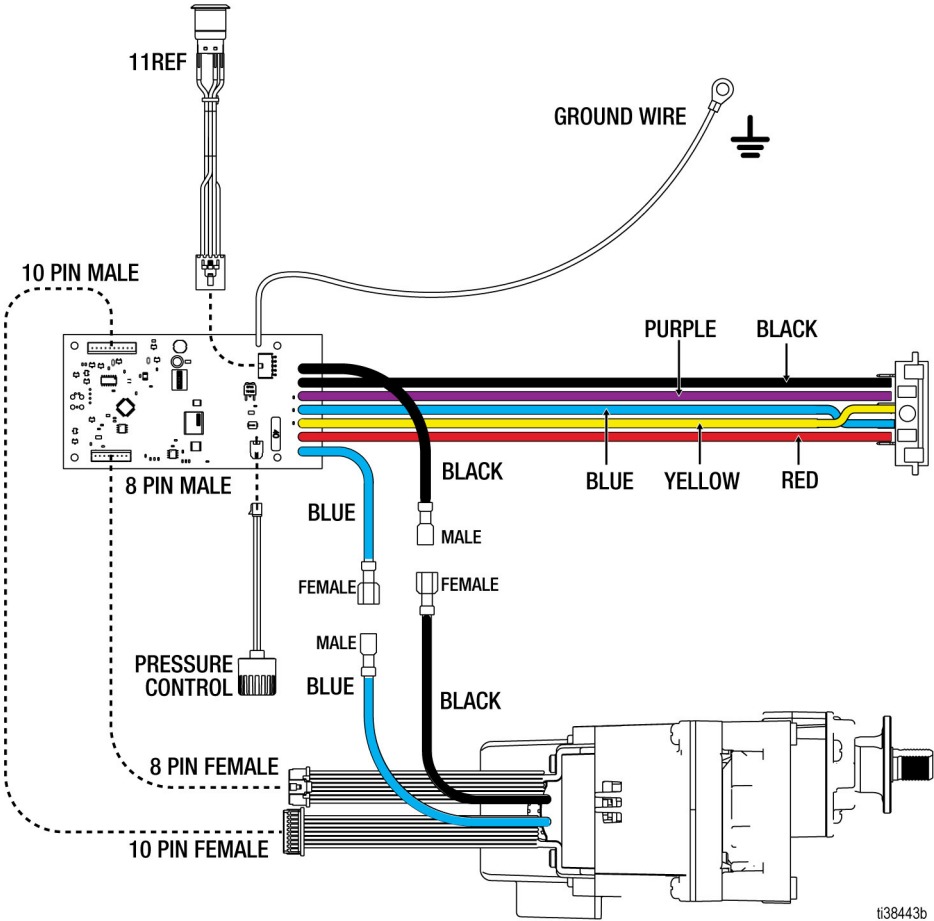
Sprayer Shield Parts and List

Sprayer Shield Parts and List



Ref.	Part	Description	Qty.	Ref.	Part	Description	Qty.
43	243011	GUN, spray, SG2, includes optional filter 288749	1	109	287529	KIT, gun holder	1
58	287453	BRACKET, support, extension	1	109a		GUN HOLDER	1
69	243161	GUARD, RAC 5	1	109b	119619	KNOB	1
108	249081	KIT, spray shield, includes 108a - 108h	1	109c	119666	PAD, swivel	1
108a	15F142	GUIDE, wire, right shield	1	109d	111145	KKOB, pronged	1
108b	287494	BAR, guide shield	1	109e	112914	WASHER, plain	1
108d	16U231	SHIELD, guide	2	117	LL5421	TIP, spray RAC 5, striping, includes 117a, 117b	1
108f	15F143	GUIDE, wire, left shield	1	117a	115524	GASKET	1
108g	287566	KIT, clamp	1	117b	195558	SEAT, cylinder	1

Wiring Diagrams



i38443b


Technical Specifications

Technical Specifications

FieldLazer ES100		
	US	Metric
Sprayer		
Maximum fluid working pressure	1750 psi	12.1 MPa, 121 bar
Maximum Delivery		
25U542 (NA), 25U544 (ANZ)	0.30 GPM	1.1 LPM
25U543 (EMEA)	0.14 GPM	0.53 LPM
Maximum Tip Size		
25U542 (NA), 25U544 (ANZ)	0.021 in.	0.533 mm
25U543 (EMEA)	0.017 in.	0.432 mm
Fluid Outlet npsm	1/4 in.	1/4 in.
Power Requirements	See page 3 for power requirements.	
Dimensions		
Height	48 in.	121 cm
Length	24 in.	61 cm
Width	24 in.	61 cm
Weight (with battery)	80 lb.	36.32 kg
Storage temperature range ♦♦	-30° to 160°F	-35° to 71°C
Operating temperature range ✓	40° to 115°F	4° to 46°C
Noise		
Sound pressure	83 dBa**	
Sound power	93 dBa**	
Vibration, per ISO 5349		
Left-hand	<98in/s ²	<2.5m/s ²
Right-hand	<98in/s ²	<2.5m/s ²
Materials of Construction		
Wetted materials on all models	Stainless steel, brass, leather, ultra-high molecular weight polyethylene (UHMWPE), carbide, nylon, aluminum, PVC, polypropylene, fluoroelastomer	
Notes		
* Startup pressures and displacement per cycle may vary based on suction condition, discharge head, air pressure, and fluid type.		
** Sound pressure measured 3 feet (1 meter) from equipment. Sound power measured per ISO-9614.		
♦ When pump is stored with non-freezing fluid. Pump damage will occur if water or latex paint freezes in pump.		
♦ Damage to plastic parts may result if impact occurs in low temperature conditions.		
✓ Changes in paint viscosity at very low or very high temperatures can affect sprayer performance.		

California Proposition 65

CALIFORNIA RESIDENTS

 **WARNING:** Cancer and reproductive harm –
www.P65warnings.ca.gov.

Graco Standard Warranty

Graco Standard Warranty

Graco warrants all equipment referenced in this document which is manufactured by Graco and bearing its name to be free from defects in material and workmanship on the date of sale to the original purchaser for use. With the exception of any special, extended, or limited warranty published by Graco, Graco will, for a period of twelve months from the date of sale, repair or replace any part of the equipment determined by Graco to be defective. This warranty applies only when the equipment is installed, operated and maintained in accordance with Graco's written recommendations.

This warranty does not cover, and Graco shall not be liable for general wear and tear, or any malfunction, damage or wear caused by faulty installation, misapplication, abrasion, corrosion, inadequate or improper maintenance, negligence, accident, tampering, or substitution of non-Graco component parts. Nor shall Graco be liable for malfunction, damage or wear caused by the incompatibility of Graco equipment with structures, accessories, equipment or materials not supplied by Graco, or the improper design, manufacture, installation, operation or maintenance of structures, accessories, equipment or materials not supplied by Graco.

This warranty is conditioned upon the prepaid return of the equipment claimed to be defective to an authorized Graco distributor for verification of the claimed defect. If the claimed defect is verified, Graco will repair or replace free of charge any defective parts. The equipment will be returned to the original purchaser transportation prepaid. If inspection of the equipment does not disclose any defect in material or workmanship, repairs will be made at a reasonable charge, which charges may include the costs of parts, labor, and transportation.

THIS WARRANTY IS EXCLUSIVE, AND IS IN LIEU OF ANY OTHER WARRANTIES, EXPRESS OR IMPLIED, INCLUDING BUT NOT LIMITED TO WARRANTY OF MERCHANTABILITY OR WARRANTY OF FITNESS FOR A PARTICULAR PURPOSE.

Graco's sole obligation and buyer's sole remedy for any breach of warranty shall be as set forth above. The buyer agrees that no other remedy (including, but not limited to, incidental or consequential damages for lost profits, lost sales, injury to person or property, or any other incidental or consequential loss) shall be available. Any action for breach of warranty must be brought within two (2) years of the date of sale.

GRACO MAKES NO WARRANTY, AND DISCLAIMS ALL IMPLIED WARRANTIES OF MERCHANTABILITY AND FITNESS FOR A PARTICULAR PURPOSE, IN CONNECTION WITH ACCESSORIES, EQUIPMENT, MATERIALS OR COMPONENTS SOLD BUT NOT MANUFACTURED BY GRACO. These items sold, but not manufactured by Graco (such as electric motors, switches, hose, etc.), are subject to the warranty, if any, of their manufacturer. Graco will provide purchaser with reasonable assistance in making any claim for breach of these warranties.

In no event will Graco be liable for indirect, incidental, special or consequential damages resulting from Graco supplying equipment hereunder, or the furnishing, performance, or use of any products or other goods sold hereto, whether due to a breach of contract, breach of warranty, the negligence of Graco, or otherwise.

FOR GRACO CANADA CUSTOMERS

The Parties acknowledge that they have required that the present document, as well as all documents, notices and legal proceedings entered into, given or instituted pursuant hereto or relating directly or indirectly hereto, be drawn up in English. Les parties reconnaissent avoir convenu que la rédaction du présent document sera en Anglais, ainsi que tous documents, avis et procédures judiciaires exécutés, donnés ou intentés, à la suite de ou en rapport, directement ou indirectement, avec les procédures concernées.

Graco Information

For the latest information about Graco products, visit www.graco.com.

For patent information, see www.graco.com/patents.

TO PLACE AN ORDER, contact your Graco distributor or call 1-800-690-2894 to identify the nearest distributor.

All written and visual data contained in this document reflects the latest product information available at the time of publication. Graco reserves the right to make changes at any time without notice.

Original instructions. This manual contains English. MM 3A9002

Graco Headquarters: Minneapolis
International Offices: Belgium, China, Japan, Korea

GRACO INC. AND SUBSIDIARIES • P.O. BOX 1441 • MINNEAPOLIS MN 55440-1441 • USA

Copyright 2021, Graco Inc. All Graco manufacturing locations are registered to ISO 9001.

www.graco.com

Revision C, September 2022

