

ThermoLazer[®] 200/200TC/300TC and ThermoLazer ProMelt[™] Pavement Marking Systems

3A1321R

EN

For professional application of thermoplastic traffic marking compound materials (reflective beads applied simultaneously with screeding). For outdoor use only (not to be operated in rain or damp conditions)

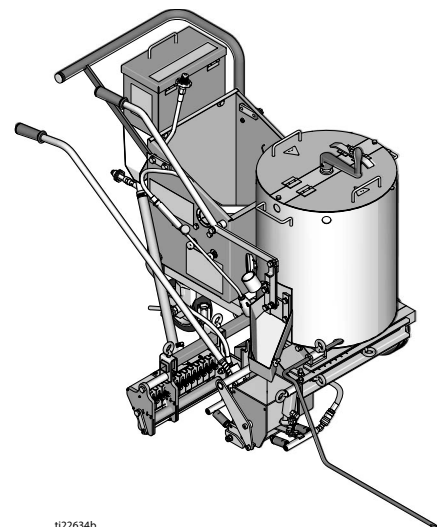
IMPORTANT SAFETY INSTRUCTIONS

Read all warnings and instructions in this manual. Save these instructions.

Related Manuals:

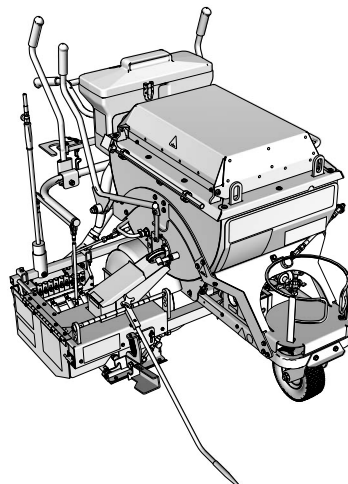
Operation	3A1319
Repair	3A1320
Double Bead Box	3A0004
SmartDie[™] II	3A1738
FlexDie[™]	3A1738

ThermoLazer 200/200TC



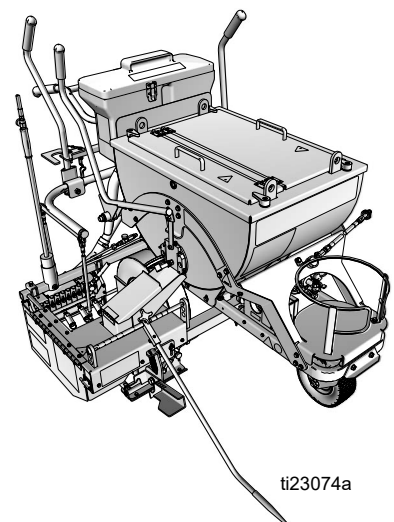
ti22634b

ThermoLazer ProMelt



ti23073a

ThermoLazer 300TC



ti23074a



System Chart

SmartDie II used on ThermoLazer 300TC/ProMelt only.

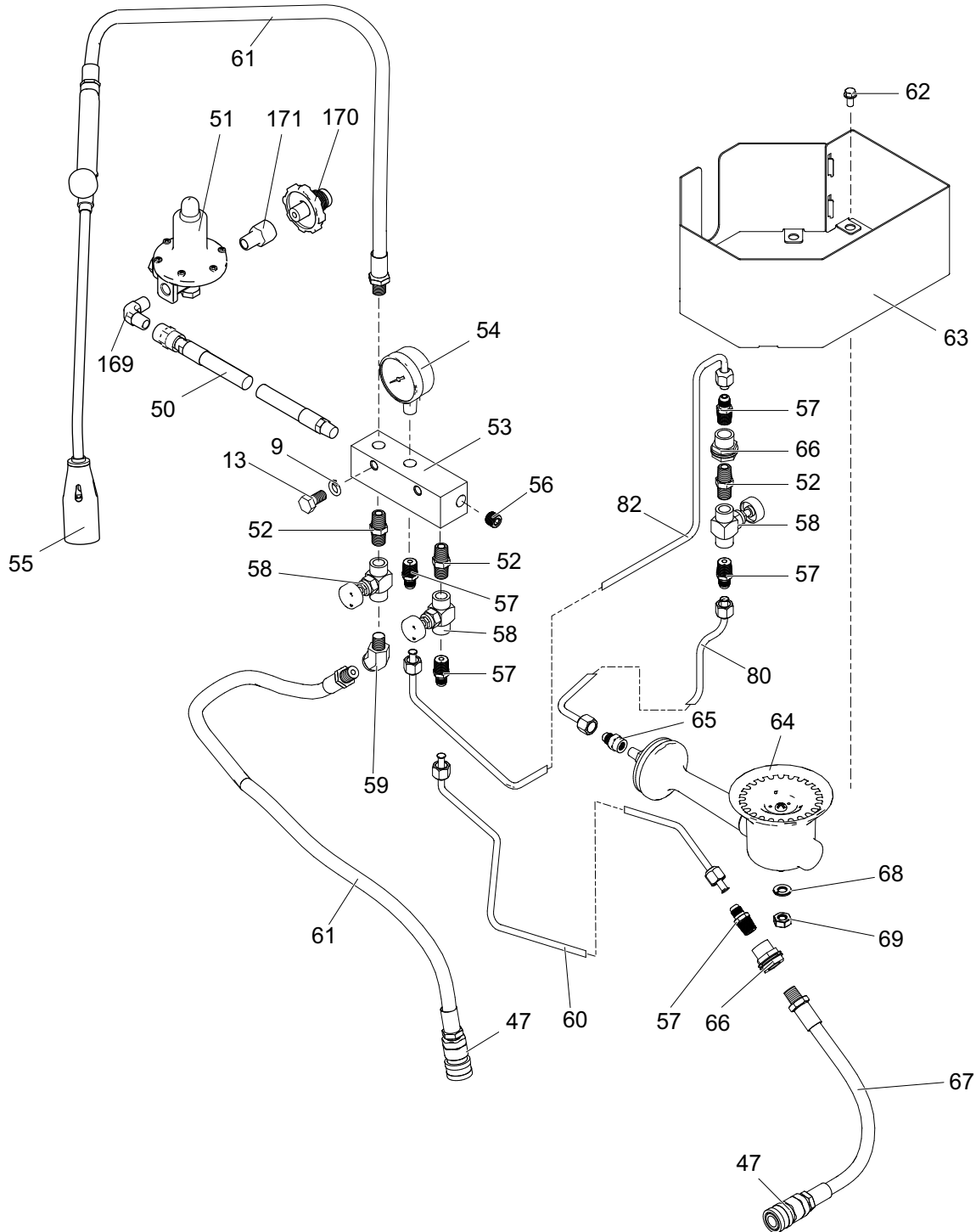
SmartDie II Part No.	Smart Die Description
17A173	2 in. (5 cm)
24H431	3 in. (8 cm)
24H426	4 in. (10 cm)
17J250	4.75 in. (12 cm)
24H432	5 in. (13 cm)
24H427	6 in. (15 cm)
24H433	7 in. (18 cm)
24H428	8 in. (20 cm)
24H434	9 in. (22.5 cm)
24H429	10 in. (25 cm)
24H430	12 in. (30 cm)
‡17A174	16 in. (40 cm)
26D111	18 in. (45 cm)
24H437	3-3-3 in. (8-8-8 cm)
24H435	4-3-4 in. (10-8-10 cm)
24H436	4-4-4 in. (10-10-10 cm)
24J785	4-6-4 in. (10-15-10 cm)
‡17A175	6-4-6 in. (15-10-15 cm)
‡17R378	5-5-5 in. (13-13-13 cm)
‡26C273	6-3-6 in. (15-8-15 cm)

‡ Requires 16" (40 cm) Conversion Bead System Kit for 300TC/ProMelt Only.
 - 17B190 Kit, accy, 16" (40 cm) Single Drop Bead System

FlexDie used on ThermoLazer 200/200TC only.

FlexDie Part No.	FlexDie Description
16Y661	2 in. (5 cm)
16Y662	3 in. (8 cm)
16Y320	4 in. (10 cm)
16Y663	5 in. (12 cm)
16Y190	6 in. (15 cm)
16Y664	7 in. (18 cm)
16Y326	8 in. (20 cm)
16Y665	9 in. (22.5 cm)
16Y332	10 in. (25 cm)
16Y207	12 in. (30 cm)
26D189	18 in. (45 cm)
16Y338	3-3-3 in. (8-8-8 cm)
16Y352	4-3-4 in. (10-8-10 cm)
16Y666	4-2-4 in. (10-5-10 cm)
16Y363	4-4-4 in. (10-10-10 cm)
26D109	6-3-6 in. (15-8-15 cm)

Parts - ThermoLazer 200



t123446a

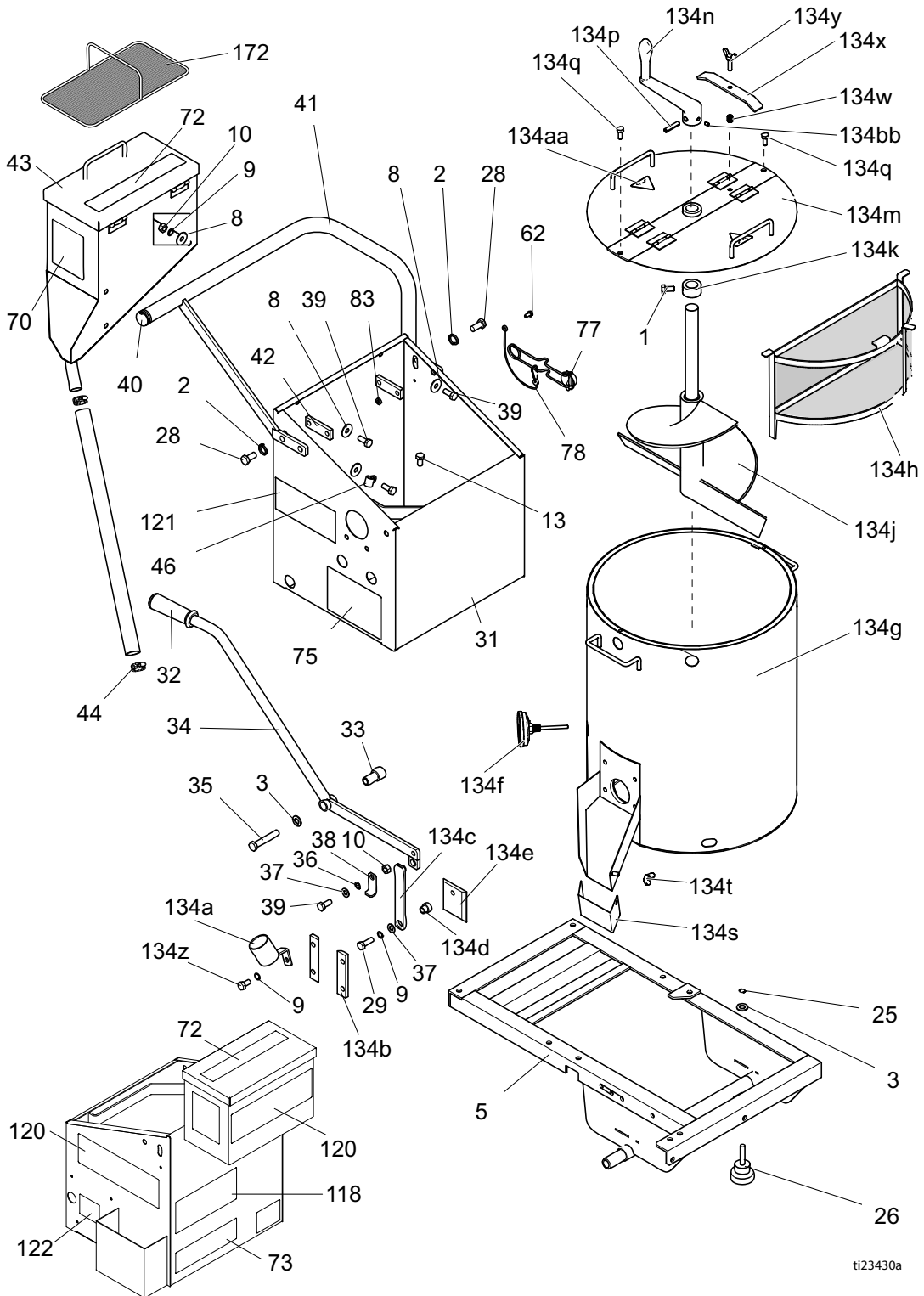
Parts List - ThermoLazer 200

Ref.	Part No.	Description	Qty.
9	125632	WASHER, lock, spring, M10	19
13	105326	SCREW, cap, hex hd	14
47	16Y226	COUPLING, quick release, female	2
50*▲	123086	HOSE, rubber	1
51	17D903	KIT, repair, regulator (EU and US)	1
	17J090	KIT, repair, regulator (Asia Pacific)	1
52	867310	FITTING, nipple hx 14 x 1/4 npt	3
53	16Y180	MANIFOLD, gas	1
54	16Y229	GAUGE, pressure 0~0.1 MPA	1
55	16Y232	GUN, torch	1
56	557391	PLUG, dryseal, 1/4 nptf	1
57	16Y510	FITTING, flared, 1/4 pipe, adapter	5
58	16Y228	VALVE, needle, 1/4 f x 1/4 f	3
59	121283	FITTING, elbow, 45 deg street	1
60	17R364	TUBE, formed, die front	1
61	16Y250	HOSE, gas, die front	2
62	107257	SCREW, thd forming	6
63	16Y307	SHIELD, heat burner	1
64	16Y284	RING, burner, 4.25" D (includes 65)	1
65	16Y514	FITTING, flared, 1/8 pipe, adapter	
66	104641	FITTING, bulkhead	2
67	16Y249	HOSE, gas, die back	1
68	100016	WASHER, lock	1
69	100015	NUT, hex mscr	1
80	17R365	TUBE, formed, burner inlet	1
82	17R366	TUBE, formed, burner w/o control	1
169*▲	110249	ADAPTER, male, elbow, fitting	1
170▲	16Y506	CONNECTOR, gas tank	1
171	17B244	FITTING, adapter	1

* Included in Kit 17D903

▲ Included in Kit 17J090

Parts - ThermoLazer 200/200TC



ti23430a

Parts List - ThermoLazer 200/200TC

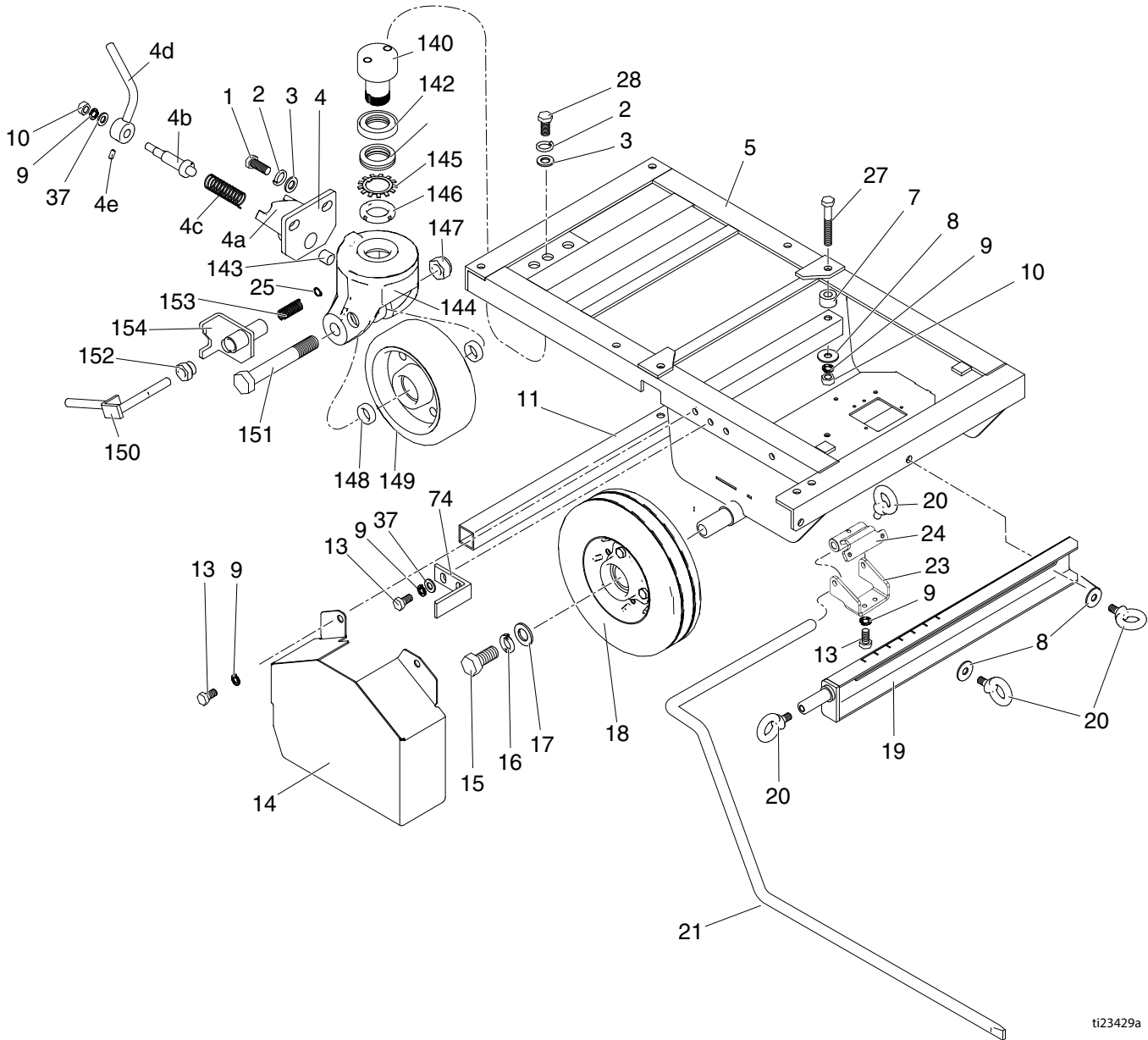
Ref.	Part No.	Description	Qty.	Ref.	Part No.	Description	Qty.
1	105324	SCREW, cap, hex hd	2		16X975	LABEL, brand, ThermoLazer 200	2
2	124704	WASHER, spring, metallic	8				
3	16Y269	WASHER, flat, M12	6	121	16Y481	LABEL, brand, ThermoLazer 200, side	1
5	16Y001	FRAME	1				
7	16Y106	SPACER	2		16Y480	LABEL, brand, ThermoLazer 200TC, side	
8	16Y266	WASHER, flat, M10	10				
9†◆	125632	WASHER, lock, spring, M10	19	122	16X637	LABEL, instruction, thermo. burner (200 model only)	1
10	105327	NUT, hex	7				
13†◆	105326	SCREW, cap, hex head	14	134	16Y834	RESERVOIR, reservoir assy, kits (200 model)	1
25	16Y271	RING, retaining, external, M12	2				
26	16Y152	SCREW, kettle lock	1		16Y835	RESERVOIR, reservoir assy TC, kits (200TC models)	1
28	16Y261	SCREW, cap, hex hd, M12 x 1.75 x 25	6	134a	16Y063	HOLDER, torch holder	1
29†◆	109487	SCREW, cap, head hd	3	134b	16Y060	BAR, gate	2
31	16Y066	ENCLOSURE, propane cylinder	1	134c	16Y061	LEVER, gate	1
				134d	16Y062	BUSHING, sleeve	1
32	123938	GRIP, handle	1	134e	16Y059	BAR, gate	1
33	16Y119	TUBE, pivot, handle	1	134f	16Y246	GAUGE, thermometer	1
34	16Y114	HANDLE, gate valve	1	134g		RESERVOIR, base (16Y834)	1
35	113708	SCREW, cap, hex hd	1			RESERVOIR, base, TC (16Y835)	1
36	16Y258	WASHER, wave, M10	1				
37†◆	16Y267	WASHER, plat, M10	5	134h	16Y024	STRAINER, reservoir	1
38	16Y127	PLATE, cover	1	134j	16Y023	MIXER, mixer assy (16Y834)	1
39	16Y268	BOLT, cap hex	1		17E059	MIXER, agitator (16Y835)	1
40	16Y126	CAPE, handle end	1	134k	16Y054	SPACE, holder	1
41	16Y147	HANDLE	1	134m	16Y022	RESERVOIR, cover assy	1
42	16Y151	HOLDER, handle	2	134n	16Y053	HANDLE, reservoir	1
43	16Y090	BOX, bead	1	134p	16Y055	PIN, spring	1
44	16Y230	HOSE, clamp	1	134q	17E050	SCREW, cap, hex hd	2
45	17B554	HOSE, hose 1.00 ID x 1.26 O.D.	1	134s	16Y125	PLATE, splash plate	1
				134t	16Y275	NUT, wing, M8	1
46	16Y310	CLAMP, rubber hose, clamp	1	134w	117155	SPRING, compression	1
62◆	107257	SCREW, thd forming	6	134x	16Y240	LOCK, lid	1
70	16E335	LABEL, brand, Graco	2	134y	16Y243	BOLT, wing	1
72▲	16A276	LABEL, ISO, symbols warning	1	134z	16Y268	BOLT, cap, hex	1
73▲	15Y966	LABEL, warning, fire and explosion	1	134aa▲	16D646	LABEL, 2 in., iso, hot surface	1
				134bb	124229	SCREW, set, socket head	1
75	16X636	Label, instruct, thermo. burner	1	172	17E092	STRAINER, beads box	1
77	123186	TOOL, spark lighter	1				
78	121458	TIE, lanyard	1				
83	140045	NUT, hex, jam	2				
118▲	15Y964	LABEL, warning, kettle (200TC only)	1				
120	16X976	LABEL, brand, ThermoLazer 200	2				

† Parts included in Kit 16Y834

◆ Parts included in Kit 16Y835

▲ Replacement safety labels, tags, and cards are available at no cost.

Parts - ThermoLazer 200/200TC

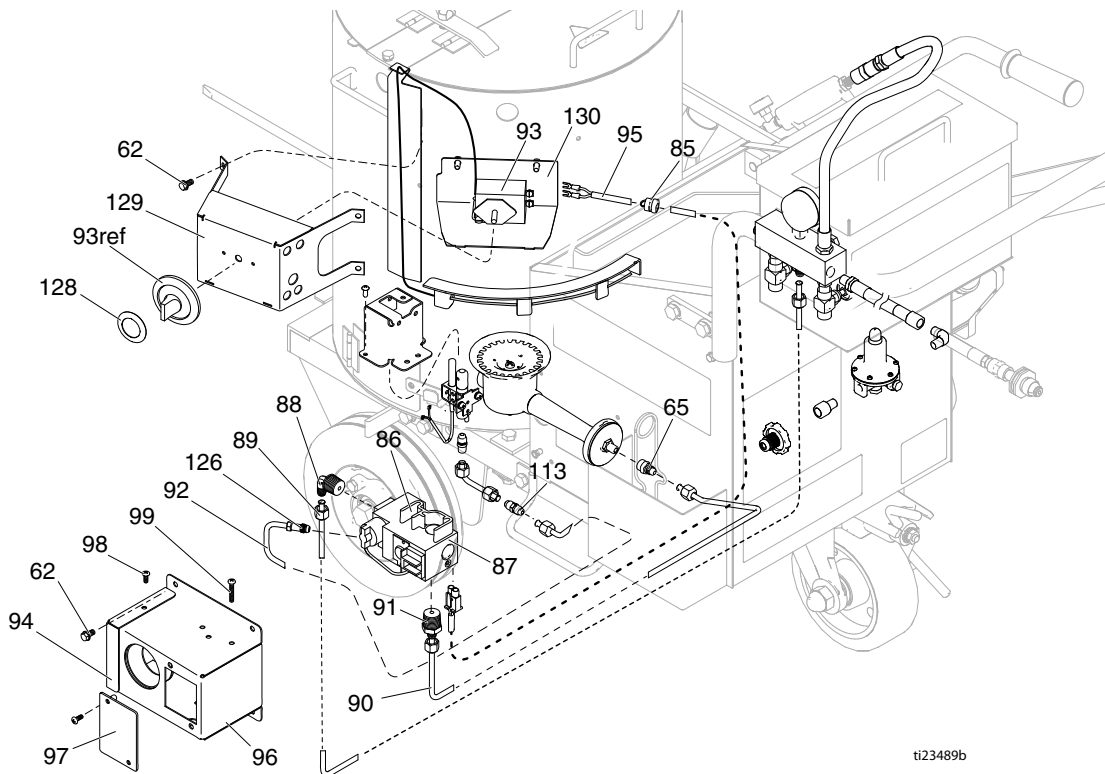
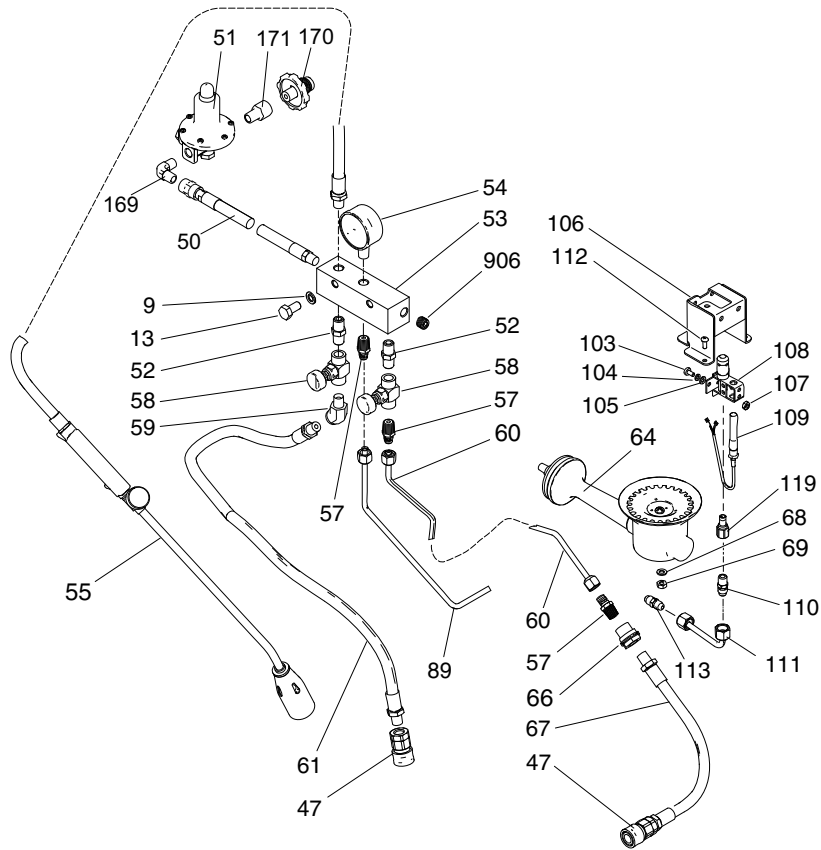


ti23429a

Parts List- ThermoLazer 200/200TC

Ref.	Part No.	Description	Qty.	Ref.	Part No.	Description	Qty.
1	105324	SCREW, cap, hex hd	2	24	17B470	BRACKET, pointer	1
2	124704	WASHER, spring, metallic	8	25	16Y271	RING, retaining, external, M12	2
3	16Y269	WASHER, flat, M12	6	27	16Y260	SCREW, cap, hex hd, M10 x 1.5 x 70	2
4	16Y140	HOLDER, rear wheel assy (includes 4a-4e, 9, 10, 37)	1	28	16Y261	SCREW, cap, hex hd, M12 x 1.75 x 25	6
4a	16Y141	FRAME, rear wheel holder, mach	1	37	16Y267	WASHER, plat, M10	5
4b	16Y145	SHAFT, locker	1	39	16Y268	BOLT, M10X25	2
4c	16Y210	SPRING, compression	1	74	16Y548	BLADE, wheel	2
4d	16Y146	LOCK, swing	1	140	16Y132	ROTATOR, wheel	1
4e	100664	SCREW, set, sch	1	141	16Y134	BEARING, thrust ball bearing	2
5	16Y001	FRAME	1	142	16Y133	RING, thrust bearing	1
7	16Y106	SPACER	2	143	16Y137	BUSHING	1
8	16Y266	WASHER, flat, M10	10	144	16Y128	FRAME, rear wheel, machining	1
9	125632	WASHER, lock, spring, M10	19	145	16Y135	RING, lock	1
10	105327	NUT, hex	8	146	16Y136	NUT, lock, rolling bearing	1
11	16Y084	BRACKET, dispenser holder	1	147	626426	NUT, hex, nylok	1
13	105326	SCREW, cap, hex hd	14	148	16Y139	SPACER	2
14	16Y086	COVER, wheel	1	149	16Y138	WHEEL, rear	1
15	16Y280	SCREW, cap, hex hd, M18 x 2.5 x 35	2	150	16Y214	LOCK, rod locker	1
16	16Y279	WASHER, lock, M18	2	151	16Y276	SCREW, cap, hex hd, M20 x 2.5 x 140	1
17	16Y278	WASHER, flat, M18	2	152	16Y218	NUT, retainer	1
18	16Y085	WHEEL, front	2	153	16Y211	LOCK, wheel locker	1
19	16Y073	BRACKET, frame branch, die, STD	1	154	16Y219	SPRING, compression	1
	16D127	BRACKET, 18 in. (45 cm) die	1	155	16Y128	WHEEL, rear, assy, (includes 25, 140,142, 144-154)	
20	16Y274	SCREW, ring screw, M10	3				
21	17B469	ROD, indicator	1				
23	17B468	BRACKET, mount, pointer	1				

Parts - ThermoLazer 200TC



ti23489b

Parts List - ThermoLazer 200TC

Ref.	Part No.	Description	Qty.	Ref.	Part No.	Description	Qty.
9	125632	WASHER, lock, spring, M10	19	92	17B234	KIT, pilot, tube (includes 126)	1
13	105326	SCREW, cap, hex hd	14	93	17B232	KIT, repair, temp, control (includes 128)	1
47	16Y226	COUPLING, quick release, female	2	94	16Y304	COVER, gas valve	1
50*▲	123086	HOSE, propane w/ polswivel adapter	1	95	119868	BUSHING, strain relief	1
51	17D903	KIT, repair, regulator (EU and US)	1	96	16Y300	BOX, gas valve, complete	1
	17J090	KIT, repair, regulator (Asia Pacific)	1	97	16C333	DOOR	1
52	867310	FITTING, nipple hx 14 x 1/4 npt	3	98	116610	SCREW, mach, phil, pan, #10	3
53	16Y180	MANIFOLD, gas	1	99	111235	SCREW, mach, pnh	3
54	16Y229	GAUGE, pressure 0~0.1 MPA	1	103	110637	SCREW, mach, pan head	2
55	16Y232	GUN, torch	1	104	100020	WASHER, lock	2
56	557391	PLUG, dryseal, 1/4 nptf	1	105	116876	WASHER, flat	2
57	16Y510	FITTING, flared, 1/4 pipe, adapter	3	106	16W410	BRACKET, mount, electrode	1
58	16Y228	VALVE, needle, 1/4 f x 1/4 f	2	107	100179	NUT, hex mscr	1
59	121283	FITTING, elbow, 45 deg street	1	108	24J574	KIT, repair, pilot, ProMelt	1
60	16Y285	TUBE, formed, die front	1	109	122944	FITTING, thermopile	1
61	16Y250	HOSE, gas, die front	2	110	123162	FITTING, flared, 1/8 pipe, adapter	1
62	107257	SCREW, thd forming	6	111	16J687	TUBE, formed, gas, pilot	1
63	16Y307	SHIELD, heat burner	1	112	114984	SCREW, tapping, phillips pan hd	4
64	16Y284	RING, burner, 4.25" D	1	113	123160	FITTING, flared, 1/4 tube, coupling	1
65	16Y514	FITTING, flared, 1/8 pipe, adapter	1	119	125324	FITTING, inlet, pilot, ProMelt	1
66	104641	FITTING, bulkhead	2	126	24C113	KIT, repair, fitting, ferrule	1
67	16Y249	HOSE, gas, die back	1	128	16A873	LABEL, temperature control	1
68	100016	WASHER,lock	1	129	16Y308	BRACKET, mount, temp control	1
69	100015	NUT, hex mscr	1	130	16Y309	COVER, mount, temp control	1
85	16Y508	HARNESS, wire	1	131	16Y835	KIT, reservoir assy (includes 62, 85, 93, 95, 128-130)	1
85a	17B245	HARNESS,wire, valve	1	169*▲	110249	ADAPTER, male, elbow, 90°	1
86	16A708	BLOCK, spacer, gas valve	1	170▲	16Y506	CONNECTOR, gas tank	1
87	17B233	KIT, valve, gas, ProMelt (includes 88,91,92)	1	171	17B244	FITTING, adapter	1
88	16Y513	FITTING, flare, 1/2 pipe, 90 elbow	1				
89	16Y288	TUBE, formed, burner control in	1				
90	16Y289	TUBE, formed, burner, w/ control	1				
91	16Y511	FITTING, flared, 1/2 pipe, adapter	1				

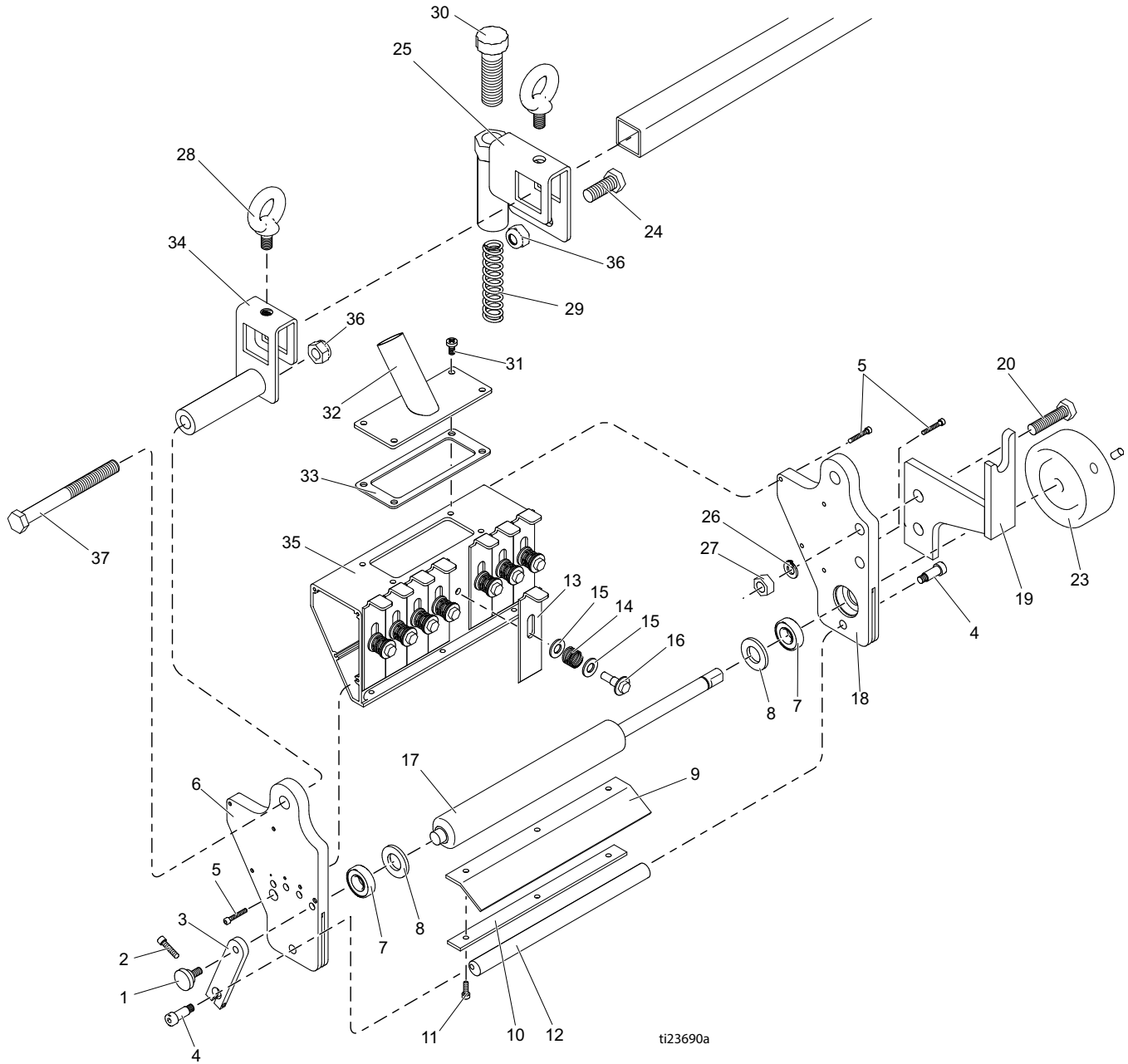
* Included in Kit 17D903

▲ Included in Kit 17J090

Parts - Bead Dispenser

17B832 BOX, bead, 8" with 1" gates

16Y891 BOX, bead, 12" with 1" gates

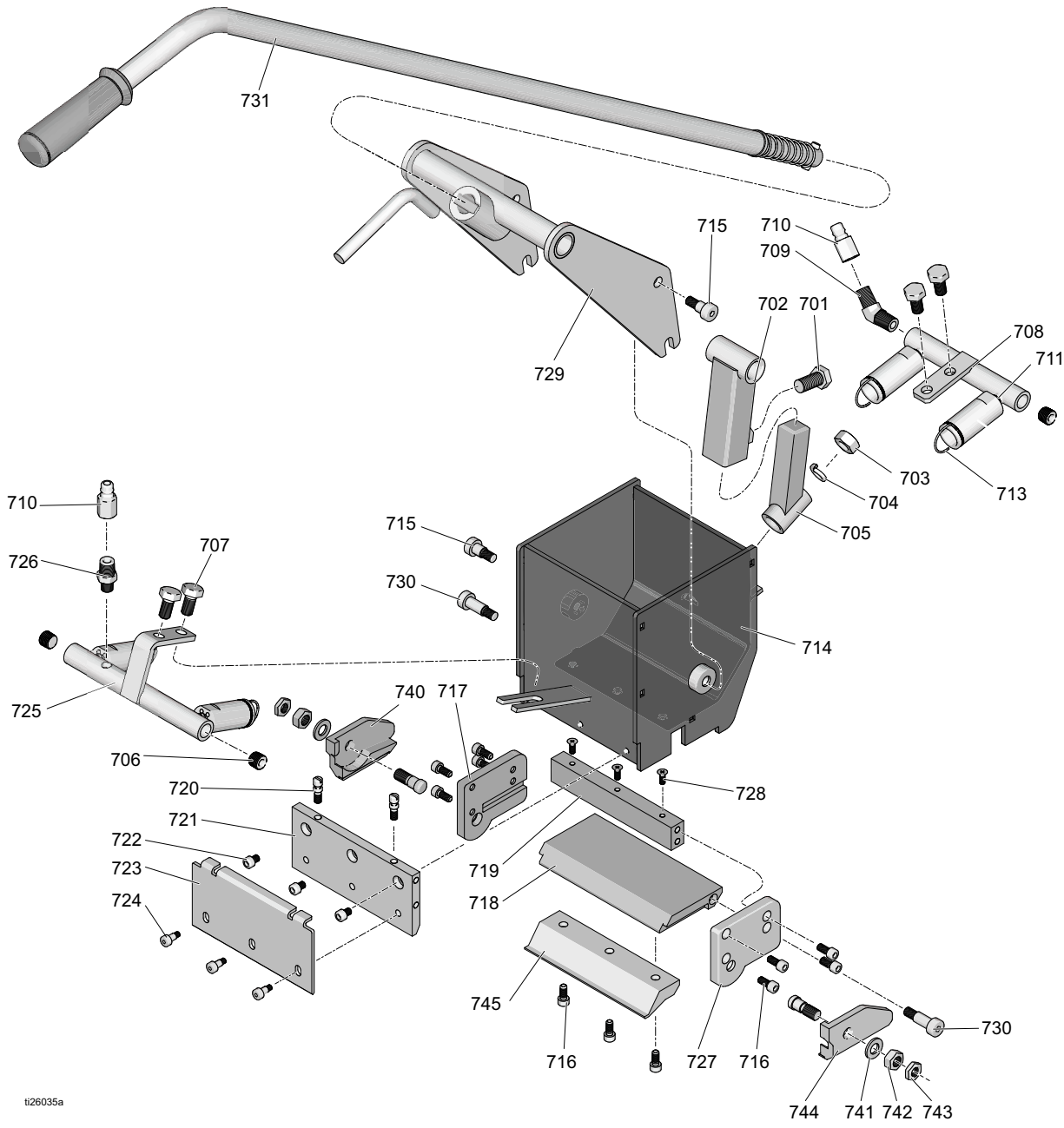


Parts - Bead Dispenser

Ref	Part	Description	Qty	Ref	Part	Description	Qty
1	123261	SCREW, thumb	1		17B362	SHAFT, knurled, 30 cm (16Y159)	1
2	295709	SCREW, cap, socket head	1	18	16Y162	BRACKET, right, bead dispenser	1
3	15X282	HANDLE, adjuster	1	19	17D553	BRACKET, die, support	1
4	123481	SCREW, shoulder, screw, 1/4-20	2	20	122942	BOLT, M10 x 40 lg	2
5	110631	SCREW, socket, hd	8	22	100664	SCREW, set, sch	1
6	16Y163	BRACKET, left, bead dispenser	1	23	15X765	WHEEL, drive, bead	1
7	123304	BEARING, double sealed	2	24	105324	SCREW, cap, hex hd (16Y158)	2
8	114797	GASKET	2			SCREW, cap, hex hd (16Y159)	1
9	16Y164	GATE, seal, 200 (16Y158)	1	25	16Y110	CLAMPE, bead box	1
	15X274	GATE, poly (16Y159)	1	26	125632	WASHER, lock, spring, M10	2
10	16Y165	GATE, clamp bar 200 (16Y158)	1	27	105327	NUT, hex	2
	15X275	GATE, bar (16Y159)	1	28	16Y274	SCREW, ring screw, M10	2
11	112310	SCREW, cap, sch (16Y158)	3	29	16Y113	SPRING, compress spring	1
		SCREW, cap, sch (16Y159)	4	30	16Y263	BOLT, machine bolt	1
12	16Y166	SHAFT, adjuster, 200 (16Y158)	1	31	106084	SCREW, mach, pnh	4
	15X281	ADJUSTER (16Y159)	1	32	16Y169	MANIFOLD, cover	1
13	16U612	PLATE, slide, 1" (16Y158)	8	33	16Y168	GASKET, cover	1
		PLATE, slide, 1" (16Y159)	12	34	16Y108	BRACKET, pivot, bead box (16Y158)	1
14	114708	SPRING, compression (16Y158)	8		16Y107	CLAMP, bead box (16Y159)	1
		SPRING, compression (16Y159)	12	35	16Y160	HOSING, dispenser 200 (16Y158)	1
15	104034	WASHER, plain (16Y158)	16		16Y172	HOUSING, dispenser 300 (16Y159)	1
		WASHER, plain (16Y159)	24	36	16Y270	NUT, nylon loc, M12, thin	2
16	119872	SCREW, shoulder (16Y158)	8	37	16Y262	SCREW, cap, hex hd, M12 x 1.75 x 120 (16Y159 only)	1
		SCREW, shoulder (16Y159)	12				
17	17B363	SHAFT, knurled 200, 20 cm (16Y158)	1				

Parts - FlexDie Box

16Y661	2 in. (5 cm)
16Y662	3 in. (8 cm)
16Y320	4 in. (10 cm)
16Y663	5 in. (12 cm)
16Y190	6 in. (15 cm)
16Y664	7 in. (18 cm)
16Y326	8 in. (20 cm)
16Y665	9 in. (22.5 cm)
16Y332	10 in. (25 cm)
16Y207	12 in. (30 cm)
26D189	18 in. (45 cm)



ti26035a

Parts List - FlexDie Box

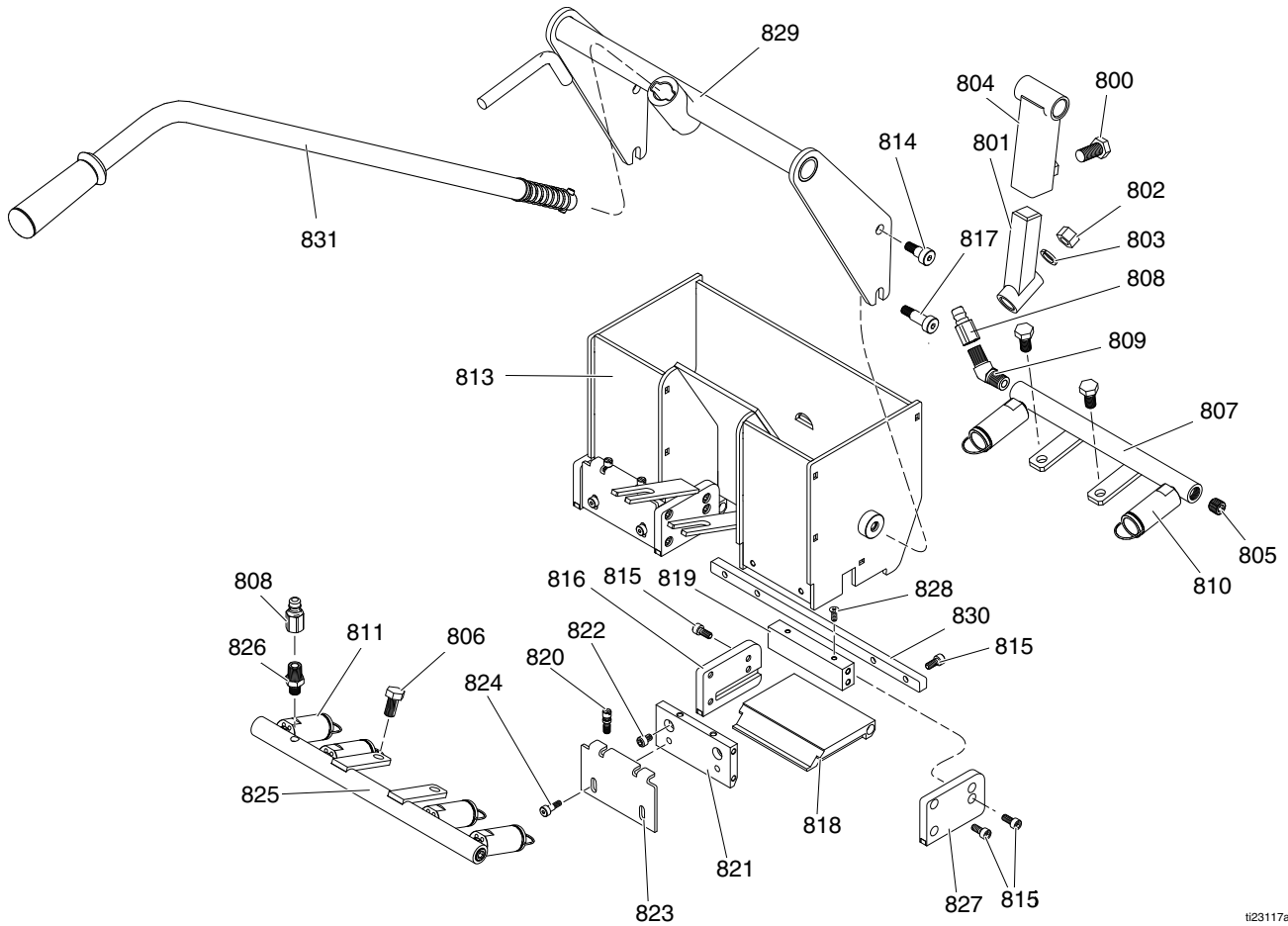
Ref. Part	Description	Qty.	Ref. Part	Description	Qty.
701	16Y261 SCREW, cap, hex hd, M12 X 1.75 X 25	1	17D539	BAR, shear, 7 in. (16Y664)	1
702	16Y077 CONNECTOR, die pivot	1	17D540	BAR, shear, 8 in (16Y326)	1
703	107539 NUT, hex	1	17D541	BAR, shear, 9 in. (16Y665)	1
704	124704 WASHER, spring, metallic	1	17D542	BAR, shear, 10 in. (16Y332)	1
705	16Y081 HOLDER, die holder	1	17D543	BAR, shear, 12 in (16Y207)	1
706	557391 PLUG, dryseal 1/4 NPTF	3	18F287	BAR, shear, 18 in (26D189)	1
707	105326 SCREW, cap hex hd	4	719	16G996 BAR, support, 2 in., (16Y661)	1
708	16Y237 TUBE, burner front, 2 in. (16Y661)	1	16H001	BAR, support, 3 in.,(16Y662)	1
	TUBE, burner front, 3 in. (16Y662)		16G995	BAR, support, 3 in., (16Y320)	1
	16Y252 TUBE, burner front, 4 in. (16Y320)	1	16H006	BAR, support, 5 in. (16Y663)	1
	16Y681 TUBE, burner front, 5 in. (16Y663)	1	16G996	BAR, support, 6 in. (16Y190)	1
	16Y237 TUBE, burner front, 6 in. (16Y190)	1	16H007	BAR, support, 7 in. (16Y664)	1
	16Y715 TUBE, burner front, 7 in. (16Y664)	1	16G997	BAR, support, 8 in (16Y326)	1
	16Y689 TUBE, burner front, 8 in (16Y326)	1	16H008	BAR, support, 9 in. (16Y665)	1
	16Y755 TUBE, burner front, 9 in. (16Y665)	1	16G998	BAR, support, 10 in. (16Y332)	1
	16Y486 TUBE, burner front, 10 in. (16Y332)	1	16G999	BAR, support, 12 in. (16Y207)	1
	16Y244 TUBE, burner front, 12 in. (16Y207)	1	18F282	BAR, support, 18 in. (26D189)	1
	26D123 TUBE, burner front, 18 in. (26D189)	1	720	16H044 SCREW, adjustment, screed	2
709	17D594 FITTING, elbow 45, 1/4 NPT	1	721	16H025 BAR, shear, stop, 2 in. (16Y661)	1
710	16Y225 COUPLING, quick release, male	2	17D544	BAR, shear, stop, 3 in., (16Y662)	1
711	17B231 KIT, repair, torch head, die (16Y661)	4	17D545	BAR, shear, stop, 4 in. (16Y320)	1
	KIT, repair, torch head, die (16Y662)	1	17D546	BAR, shear, stop, 5 in. (16Y663)	1
	KIT, repair, torch head, die (16Y320)	4	17D547	BAR, shear, stop, 6 in. (16Y190)	1
	KIT, repair, torch head, die (16Y663)	4	17D548	BAR, shear, stop, 7 in. (16Y664)	1
	KIT, repair, torch head, die (16Y190)	4	17D549	BAR, shear, stop, 8 in (16Y326)	1
	KIT, repair, torch head, die (16Y664)	4	17D550	BAR, shear, stop, 9 in. (16Y665)	1
	KIT, repair, torch head, die (16Y326)	4	17D551	BAR, shear, stop, 10 in. (16Y332)	1
	KIT, repair, torch head, die (16Y665)	6	17D552	BAR, shear, stop, 12 in. (16Y207)	1
	KIT, repair, torch head, die (16Y332)	6	18F285	BAR, shear, stop, 18 in. (26D189)	1
	KIT, repair, torch head, die (16Y207)	6	722	110501 SCREW, cap, sch (M6 X 8) (16Y661)	3
	KIT, repair, torch head, die (26D189)	6		SCREW, cap, sch (M6 X 8) (16Y662)	2
713	16H104 INDICATOR, burner (included in 711)	2		SCREW, cap, sch (M6 X 8) (16Y320)	2
714	BOX, die, weldment, 2 in. (16Y661)	1		SCREW, cap, sch (M6 X 8) (16Y663)	3
	BOX, die, weldment, 3 in. (16Y662)	1		SCREW, cap, sch (M6 X 8) (16Y190)	3
	BOX, die, weldment, 4 in. (16Y320)	1		SCREW, cap, sch (M6 X 8) (16Y664)	3
	BOX, die, weldment, 5 in. (16Y663)	1		SCREW, cap, sch (M6 X 8) (16Y326)	3
	BOX, die, weldment, 6 in. (16Y190)	1		SCREW, cap, sch (M6 X 8) (16Y665)	4
	BOX, die, weldment, 7 in. (16Y664)	1		SCREW, cap, sch (M6 X 8) (16Y332)	4
	BOX, die, weldment, 8 in (16Y326)	1		SCREW, cap, sch (M6 X 8) (16Y207)	4
	BOX, die, weldment, 9 in. (16Y665)	1		SCREW, cap, sch (M6 X 8) (26D189)	4
	BOX, die, weldment, 10 in. (16Y332)	1	723	17A188 PLATE, screed, adjustable, 2 in., (16Y661)	1
	BOX, die, weldment, 12 in. (16Y207)	1		17D526 PLATE, screed, adjustable, 3 in. (16Y662)	1
	BOX, die, weldment, 18 in. (26D189)	1		17D527 PLATE, screed, adjustable, 4 in. (16Y320)	1
715	125028 SCREW, shoulder, socket head M8	2		17D528 PLATE, screed, adjustable, 5 in. (16Y663)	1
716	121518 SCREW, cap, sch (16Y661)	8		17D529 PLATE, screed, adjustable, 6 in. (16Y190)	1
	SCREW, cap, sch (16Y662)	10		17D530 PLATE, screed, adjustable, 7 in. (16Y664)	1
	SCREW, cap, sch (16Y320)	10		17D531 PLATE, screed, adjustable, 8 in (16Y326)	1
	SCREW, cap, sch (16Y663)	11		17D532 PLATE, screed, adjustable, 9 in. (16Y665)	1
	SCREW, cap, sch (16Y190)	11		17D533 PLATE, screed, adjustable, 10 in. (16Y332)	1
	SCREW, cap, sch (16Y664)	11		17D534 PLATE, screed, adjustable, 12 in. (16Y207)	1
	SCREW, cap, sch (16Y326)	11		18F286 PLATE, screed, adjustable, 18 in. (26D189)	1
	SCREW, cap, sch (16Y665)	12	724	17D772 SCREW, shoulder, socket head M5 (16Y661)	3
	SCREW, cap, sch (16Y332)	12		SCREW, shoulder, socket head M5 (16Y662)	2
	SCREW, cap, sch (16Y207)	12		SCREW, shoulder, socket head M5 (16Y320)	2
	SCREW, cap, sch (26D189)	12		SCREW, shoulder, socket head M5 (16Y663)	3
717	24H580 PLATE, die runner, pro screed, left (16Y661)	1		SCREW, shoulder, socket head M5 (16Y190)	3
	17D499 PLATE, pivot, left (16Y320)	1		SCREW, shoulder, socket head M5 (16Y664)	3
	17D499 PLATE, pivot, left (16Y662)	1		SCREW, shoulder, socket head M5 (16Y326)	3
	17D499 PLATE, pivot, left (16Y663)	1		SCREW, shoulder, socket head M5 (16Y665)	4
	17D499 PLATE, pivot, left (16Y190)	1		SCREW, shoulder, socket head M5 (16Y332)	4
	17D499 PLATE, pivot, left (16Y664)	1		SCREW, shoulder, socket head M5 (16Y207)	4
	17D499 PLATE, pivot, left (16Y326)	1		SCREW, shoulder, socket head M5 (26D189)	4
	17D499 PLATE, pivot, left (16Y665)	1	725	16Y222 TUBE, back burner, 2 in., (16Y661)	1
	17D499 PLATE, pivot, left (16Y332)	1		17D517 TUBE, back burner, 3 in., (16Y662)	1
	17D499 PLATE, pivot, left (16Y207)	1		17D518 TUBE, back burner, 4 in. (16Y320)	1
	17D499 PLATE, pivot, left (26D189)	1		TUBE, back burner, 5 in. (16Y663)	1
718	17A184 BAR, shear, 2 in., (16Y661)	1		17D520 TUBE, back burner, 6 in. (16Y190)	1
	17D535 BAR, shear, 3 in., (16Y320)	1		TUBE, back burner, 7 in. (16Y664)	1
	17D536 BAR, shear, 4 in., (16Y662)	1		17D522 TUBE, back burner, 8 in. (16Y326)	1
	17D537 BAR, shear, 5 in. (16Y663)	1		17D523 TUBE, back burner, 9 in. (16Y665)	1
	17D538 BAR, shear, 6 in. (16Y190)	1		17D524 TUBE, back burner, 10 in. (16Y332)	1

Parts - FlexDie Box

Ref.	Part	Description	Qty.
	17D525	TUBE, back burner, 12 in. (16Y207)	1
	26D122	TUBE, back burner, 18 in. (26D189)	1
726	16Y235	FITTING, nipple, 1/4 NPT to 1/8 NPT	1
727	24H581	PLATE, die runner, proscreed, right (16Y661)	1
	17D497	PLATE, pivot, right (16Y320)	1
	17D497	PLATE, pivot, right (16Y662)	1
	17D497	PLATE, pivot, right (16Y663)	1
	17D497	PLATE, pivot, right (16Y190)	1
	17D497	PLATE, pivot, right (16Y664)	1
	17D497	PLATE, pivot, right (16Y326)	1
	17D497	PLATE, pivot, right (16Y665)	1
	17D497	PLATE, pivot, right (16Y332)	1
	17D497	PLATE, pivot, right (16Y207)	1
	17D497	PLATE, pivot, right (26D189)	1
728	123340	SCREW, mach, flat head, undercut (16Y661)	3
		SCREW, mach, flat head, undercut (16Y662)	2
		SCREW, mach, flat head, undercut (16Y320)	2
		SCREW, mach, flat head, undercut (16Y663)	3
		SCREW, mach, flat head, undercut (16Y190)	3
		SCREW, mach, flat head, undercut (16Y664)	3
		SCREW, mach, flat head, undercut (16Y326)	3
		SCREW, mach, flat head, undercut (16Y665)	4
		SCREW, mach, flat head, undercut (16Y332)	4
		SCREW, mach, flat head, undercut (16Y207)	4
		SCREW, mach, flat head, undercut (26D189)	4
729	16Y198	YOKE, weldment, 2 in. (16Y661)	1
	16Y702	YOKE, weldment, 3 in. (16Y662)	1
	16Y324	YOKE, weldment, 4 in. (16Y320)	1
	16Y673	YOKE, weldment, 5 in. (16Y663)	1
	16Y198	YOKE, weldment, 6 in. (16Y190)	1
	16Y713	YOKE, weldment, 7 in. (16Y664)	1
	16Y330	YOKE, weldment, 8 in. (16Y326)	1
	16Y753	YOKE, weldment, 9 in. (16Y665)	1
	16Y336	YOKE, weldment, 10 in. (16Y332)	1
	16Y206	YOKE, weldment, 12 in. (16Y207)	1
	26D121	YOKE, weldment, 18 in. (26D189)	1
730	125027	SCREW, shoulder, socket head M8	2
731	16Y205	HANDLE, die handle, assy	1
740	17D504	FLOAT RUNNER, left	1
741	16Y267	WASHER, flat, M10	2
742	105327	NUT, hex	2
743	17D593	NUT, thin nut, M10 (not on 16Y661)	2
744	17D502	FLOAT RUNNER, right	1
745	17D508	BAR, shear, 3 in., (16Y662)	1
	17D509	BAR, shear, 4 in., (16Y320)	1
	17D510	BAR, shear, 5 in., (16Y663)	1
	17D511	BAR, shear, 6 in., (16Y190)	1
	17D512	BAR, shear, 7 in., (16Y664)	1
	17D513	BAR, shear, 8 in., (16Y326)	1
	17D514	BAR, shear, 9 in., (16Y665)	1
	17D515	BAR, shear, 10 in., (16Y332)	1
	17D516	BAR, shear, 12 in., (16Y207)	1
	18F291	BAR, shear, 18 in., (26D189)	1

Parts - Double Line FlexDie Box

- 16Y338 3-3-3 in. (8-8-8 cm)
- 16Y352 4-3-4 in. (10-8-10 cm)
- 16Y666 4-2-4 in. (10-5-10 cm)
- 16Y363 4-4-4 in. (10-10-10 cm)
- 26D109 6-3-6 in. (15-8-15 cm)

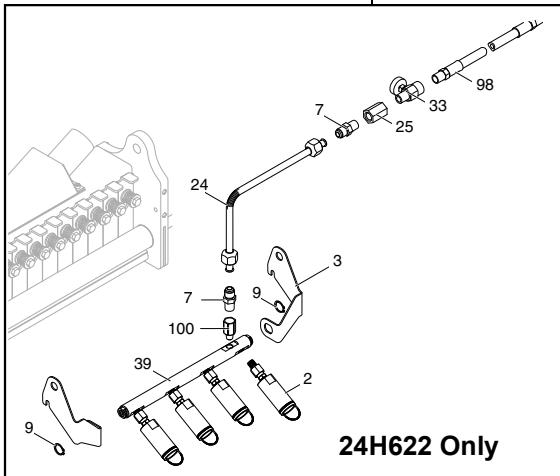
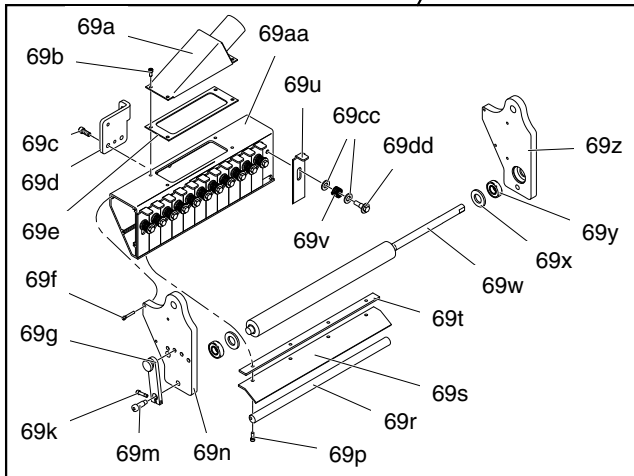
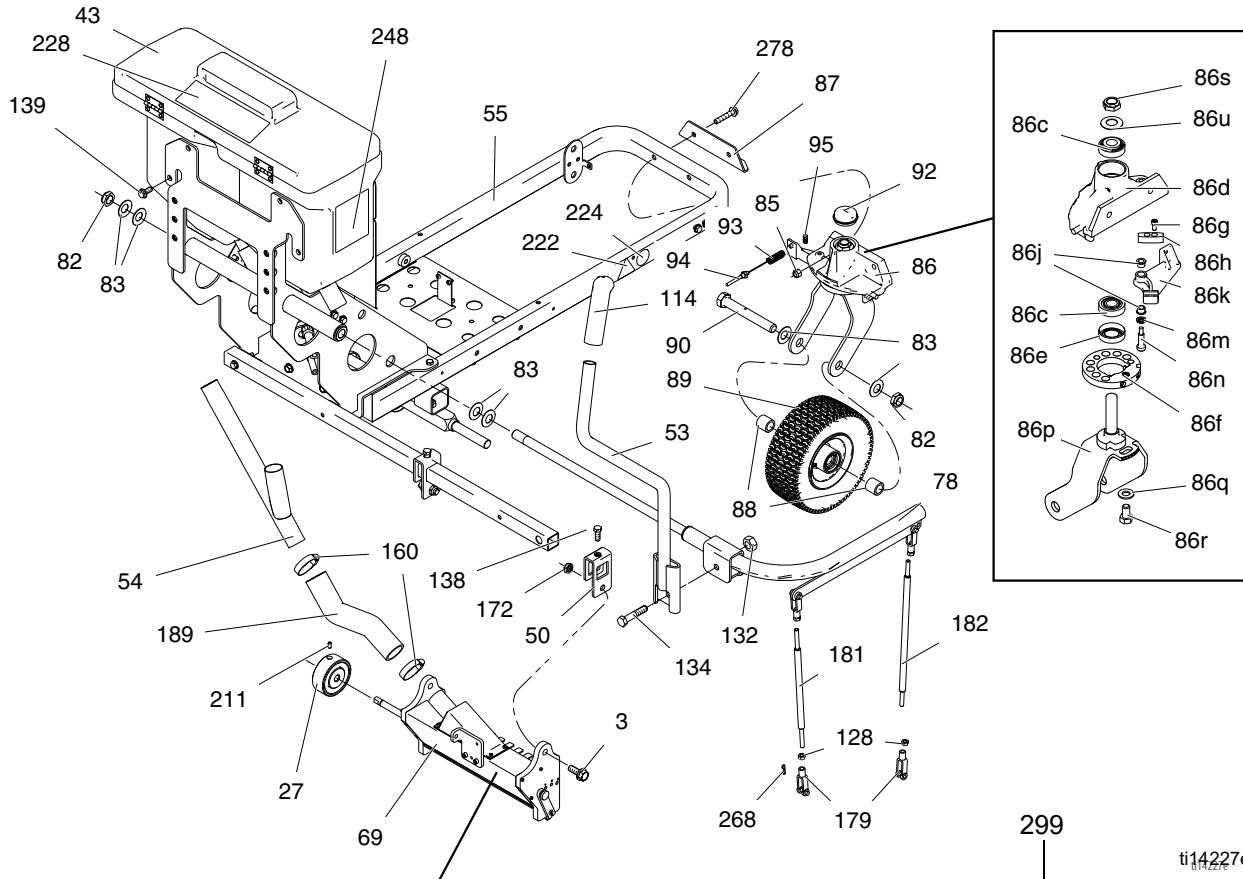


t23117a

Parts List - Double Line FlexDie Box

Ref.	Part	Description	Qty.	Ref.	Part	Description	Qty.
800	16Y261	SCREW, cap, hex hd, M12 x 1.75 x 25	1		16H159	BAR, support (16Y363)	2
801	16Y081	HOLDER, die holder	1	820	16G996	BAR, support (26D109)	2
802	107539	NUT, hex	1		16H044	SCREW, adjustment, screed	4
803	124704	WASHER, spring, metallic	1	821	16H029	BAR, shear, stop (16Y338)	2
804	16Y077	CONNECT, die pivot	1		16H024	BAR, shear, stop (16Y352, 16Y666, 16Y363)	2
805	557391	PLUG, dryseal, 1/4 NPTF	3		16H025	BAR, shear, stop (26D109)	2
806	105326	SCREW, cap hex hd	4	822	110501	SCREW, cap, sch (M6 x 8)	4
807	16Y351	TUBE, burner front, 3-3-3 (16Y338)	1	823	16H033	PLATE, screed, adjustable, 3 in. (16Y338)	2
	16Y361	TUBE, burner fron, 4-3-4 (16Y352, 16Y666)	1		16H034	PLATE, sreed, adjustable, 4 in. (16Y352, 16Y666, 16Y363)	2
	16Y371	TUBE, burner front, 4-4-4 (16Y363)	1	824	125029	SCREW, shoulder, socket head, M5	4
	26D117	TUBE, burner front, 6-3-6 (26D109)	1				
808	16Y225	COUPLING, quick release, male	2	825	16Y347	TUBE, burner back, 3-3-3 (16Y338)	1
809	17D594	FITTING, nipple hx 1/4 x 1/4 npt	1		16Y358	TUBE, burner back, 4-3-4 (16Y352)	1
810	17B231	KIT, repair, torch head, die (model 16Y338)	4		16Y806	TUBE, burner back, 4-2-4 (16Y666)	1
		KIT, repair, torch head, die (model 16Y352)	6		16Y368	TUBE, burner back, 4-4-4 (16Y363)	1
		KIT, repair, torch head, die (model 16Y666)	6	826	26D128	TUBE, burner back, 6-3-6 (26D109)	1
		KIT, repair, torch head, die (model 16Y363)	6	827	16Y235	FITTING, nipple 1/4 npt to 1/8 npt	1
		KIT, repair, torch head, die (model 26D109)	6	828	24H581	PLATE, die runner, proscreed, right	2
813	16Y339	DIE, box weldent, 3-3-3 (16Y338)	1	829	123340	SCREW, mach, flat head, undercut	4
	16Y353	DIE, box weldent, 4-3-4 (16Y352)	1		16Y753	YOKE, weldment, 3-3-3 (16Y338)	1
	16Y800	DIE, box weldent, 4-2-4 (16Y666)	1		16Y355	YOKE, weldment, 4-3-4 (16Y352)	1
	16Y364	DIE, box weldent, 4-4-4 (16Y363)	1		16Y336	YOKE, weldment, 4-2-4 (16Y666)	1
	26D115	DIE, box weldent, 6-3-6 (26D109)	1		16Y206	YOKE, weldment, 4-4-4 (16Y363)	1
814	125028	SCREW, shoulder, socket head M8	2	830	26D114	YOKE, weldment, 6-3-6 (26D109)	1
815	121518	SCREW, cap, sch	20		16H162	GUIDE, bar, shear, double, 3-3-3 (16Y338)	1
816	24H580	PLATE, die runner, proscreed, left	2		16H189	GUIDE, bar, shear, double, 4-3-4 (16Y352)	1
817	125027	SCREW, shoulder, socket head M8	2		16Y805	GUIDE, bar, shear, double, 4-2-4 (16Y666)	1
818	16H160	BAR, shear, die, double 3 in. (16Y338)	2		16H161	GUIDE, bar, shear, double, 4-4-4 (16Y363)	1
	16H159	BAR, shear, die, double, 4 in. (16Y352, 16Y666, 16Y363)	2		18F275	GUIDE, bar, shear, double, 6-3-6 (26D109)	1
	17A211	BAR, shear, die, double, 6 in. (26D109)	2	831	16Y205	HANDLE, die handle, assy	1
819	16H001	BAR, support (16Y338)	2				
	16G995	BAR, support (16Y352)	2				
	16G995	BAR, support (16Y666)	2				

Parts - ThermoLazer 300TC (Models 24H622, 24H625)



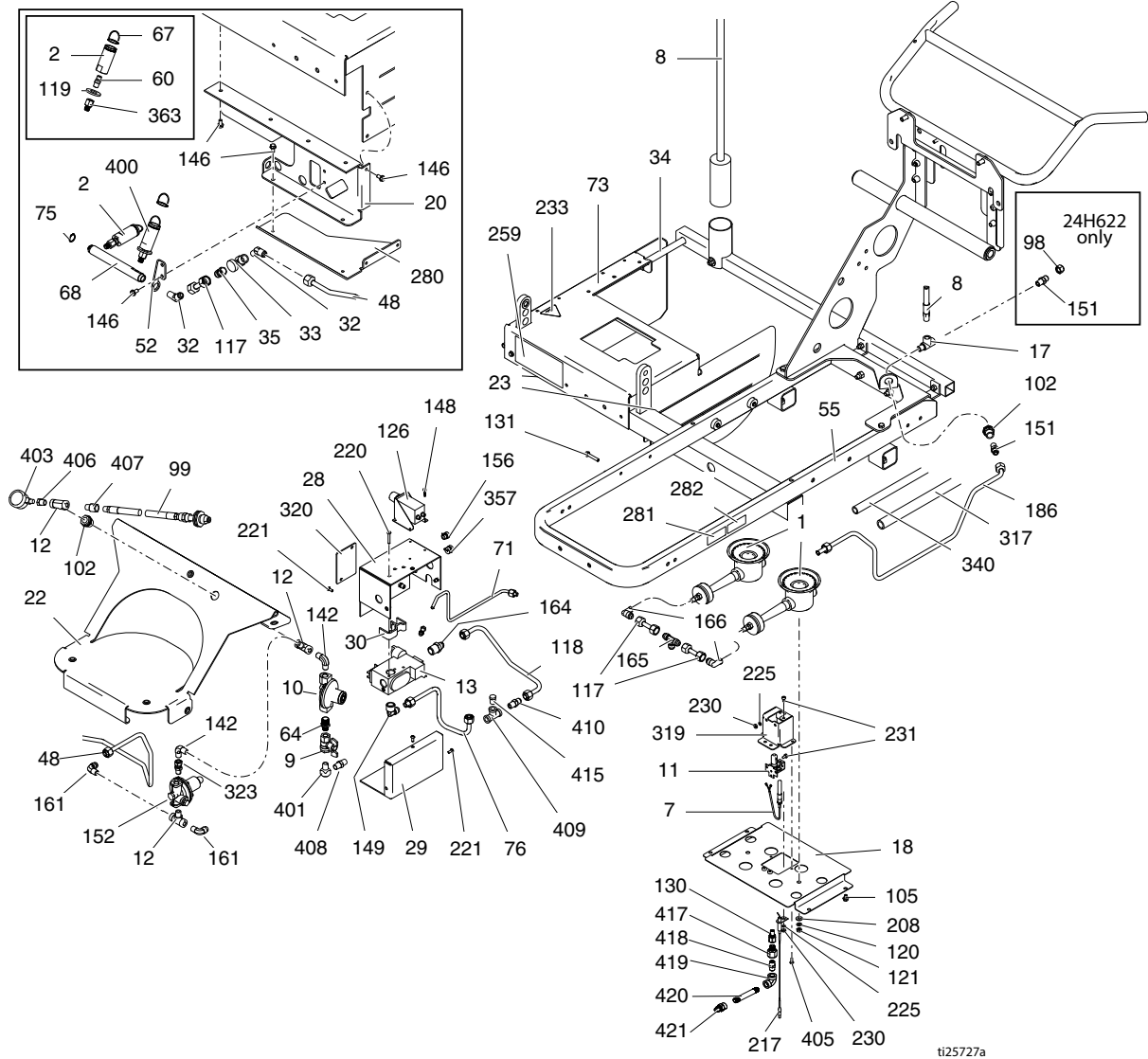
ti14227e

Parts List - ThermoLazer 300TC (Models 24H622, 24H625)

Ref.	Part	Description	Qty.	Ref.	Part	Description	Qty.
2	24J570	KIT, repair, torch head, die (includes 67) 24H622 24H625	7	86p	17H485	SHAFT, fork	1
3	111195	SCREW, cap, flng HD	3	86q	113962	WASHER, hardened, SAE	1
27	15X765	WHEEL, drive, bead	2	86r	114681	SCREW, cap, hex HD	1
33	125064	VALVE, needle, gas, 1/4 npt	1	86s	112405	NUT, lock	1
39	24J578	KIT, repair, manifold, rear	1	86u	112825	SPRING, belleville	2
43	24J865	KIT, replacement, bead hopper (includes 228, 248, 264)	1	87	240991	BRACKET, caster, front	1
50	257399	CLAMP, beadbox	2	88	193658	NUT, seal	2
53	257455	HANDLE, lift, die/bead dispenser	1	89	114549	WHEEL, pneumatic	1
54	257617	CONNECTOR, bead box hose	1	90	113471	SCREW, cap, hex HD	1
55	24J586	KIT, repair, frame (includes 222, 224)	1	92	114648	CAP, dust	3
69	24R144	BOX, 12", with 1" gages	1	93	114682	SPRING, compression	1
69a	257378	MANIFOLD, assembly	1	94	241445	KIT, cable	1
69b	112788	SCREW, cap, sockethead	4	95	114802	STOP, wire	1
69c	121112	SCREW, cap, sockethead	2	98	16Y249	HOSE, torch, rear	1
69d	16U614	BRACKET, beadbox, linkage	1	100	159840	ADAPTER	1
69e	16A243	GASKET, foam	1	104	16H192	BRACKET, support, manifold, rear, left	1
69f	110631	SCREW, sockethead	8	109	16H107	BRACKET, support, manifold, rear, right	1
69g	24J866	HANDLE, adjuster, bead	1	112	113444	FITTING, elbow street, 45dx 1/4 npt	1
69k	295709	SCREW, cap, sockethead	1	114	114659	GRIP, handle	5
69m	123481	SCREW, shoulder, screw, 1/4-20	2	115	101550	SCREW, cap, sch	4
69n	16H292	BRACKET, right, bead dispenser	1	128	100187	NUT	4
69p	112310	SCREW, cap, sch	4	132	801020	NUT, lock	1
69r	15X281	ADJUSTER	1	134	114766	BOLT, cap hex head	1
69s	15X274	GATE, poly	1	138	111145	KNOB, pronged	1
69t	15X275	GATE, bar	1	139	111192	SCREW, cap flang HD	26
69u	16U612	PLATE, slide, 1"	12	151	118484	FITTING, connector	4
69v	114708	SPRING, compression	12	160	116789	CLAMP, hose	6
69w	24C672	SHAFT, bead assembly kit	1	172	119547	NUT, hex, lock, nylon, thin	2
69x	114797	GASKET	2	179	15V415	CLEVIS	4
69y	123304	BEARING, double sealed	2	181	16A041	SHAFT, threaded	1
69z	16H293	BRACKET, left, bead dispenser	1	182	16H291	SHAFT, threaded	1
69aa	16U613	HOUSING, dispenser, 12", 12 holes	1	189	16A100	HOSE, bead	3
69cc	104034	WASHER, plain	24	211	100664	SCREW, set, sch	1
69dd	119872	SCREW, shoulder	12	222▲	16A274	LABEL, ISO, explosion	1
75	113958	RING, retaining, external	3	224	15Y963	LABEL kettle burners, lighting	1
78	15W873	ARM, die/bead dispenser	1	228▲	16A276	LABEL, ISO symbols warn & instru	1
82	112405	NUT, lock	6	248	16E335	LABEL, brand, Graco	2
83	112825	SPRING, belleville	10	264▲	15Y966	LABEL, fire and explosion	1
85	101566	NUT, lock	12	268	120592	PIN, cotter, hairpin	3
86	24H246	CASTER, promelt, blue	1	270	16F660	SHIELD, heat, rear, Promelt	1
86c	113485	BEARING, cup/cone	2	278	114982	SCREW, cap, flng HD	11
86d	15G952	CASTER, machine	1	299	24H619	KIT, accessory, rear torch (includes 2, 98, 151, 33, 115, 104, 70, 60, 67, 109, 75, 39, 100, 112, 372, 373)	1
86e	113484	SEAL, grease	1	372	113093	CONNECTOR, pipe	1
86f	17H486	DISK, adjuster	1	373	16Y844	TUBE, formed, gas	1
86g	110754	SCREW, cap, sch	2	374	16Y885	KIT, rear die hose (includes 33, 98, 100, 151, 373)	1
86h	193662	STOP, wedge	1				
86j	114548	BEARING, bronze	2				
86k	193528	ARM, detent	1				
86m	15J603	SPACER, round, .625 in.	1				
86n	120476	BOLT, shoulder, 5/16	1				

▲ Replacement safety labels, tags, and cards are available at no cost.

Parts - ThermoLazer 300TC (Models 24H622, 24H625)

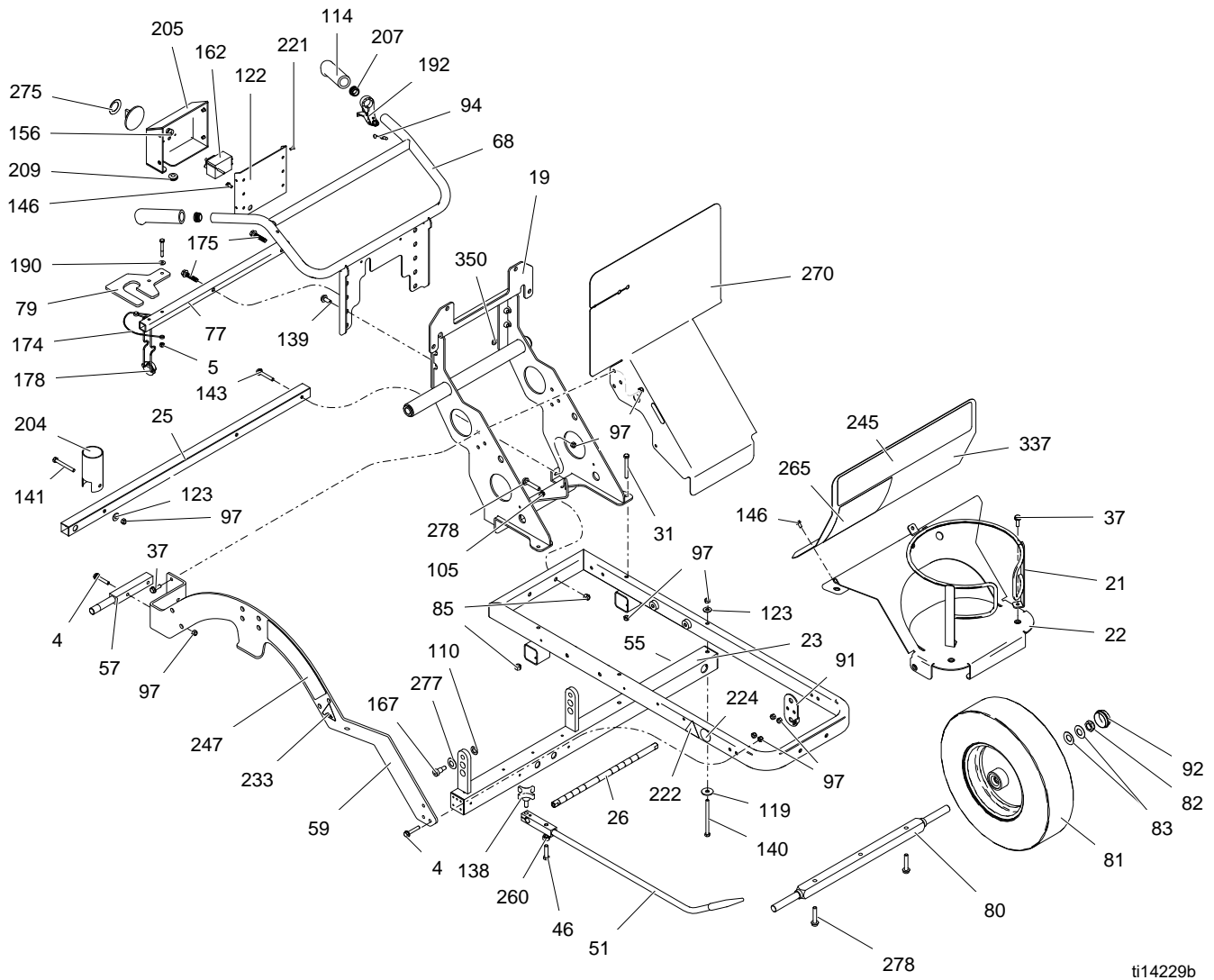


ti14228e

Parts List - ThermoLazer 300TC (Models 24H622, 24H625)

Ref.	Part	Description	Qty.	Ref.	Part	Description	Qty.
1	24C394	KIT, replacement, burner (Series A, B, and C Models)	2	148	122667	SCREW, drill, hex washer head	3
	16Y284*	RING, burner (Series D Models only)	2	149	118458	FITTING, elbow, male	1
2	24J570	KIT, repair, torch head, die (includes 67)	2	151	118484	FITTING, connector	2
		24H622	7	152**	24L884	KIT, REGULATOR, LP gas, 20 psi	1
		24H625	3	156	119545	BUSHING, strain, relief	2
7*	122944	FITTING, Thermopile	1	161	123155	FITTING, flared, 1/4 pipe, 90 elbow	3
8	125032	TOOL, torch	1	164	123157	FITTING, flared, 1/2 pipe, adapter	1
9	122946	VALVE, shut off	1	165*	123158	FITTING, flared, 3/8 tube, tee	1
10	24U191	KIT, repair, regulator	1	166*	125241	FITTING, flared, 1/8 npt x 90 elbow	2
11	24U190	KIT, repair, pilot, ThermoLazer (includes 130)	1	186	16F282	TUBE, formed, gas	1
12	108638	TEE, male	3	208*	110755	WASHER, plain	2
13	16F638	KIT, repair, valve, gas, ProMelt	1	217*	127255	ELECTRODE	1
17	106228	FITTING, tee, street	1	220	111235	SCREW, mach, pnh	3
1*8	16J484	PLATE, mount, burner	1	221	116610	SCREW, mach, phil, pan, #10	9
20	16H105	BRACKET, support, burner, front	1	225*	100020	WASHER, lock	3
22	16F641	BRACKET, support, tank, propane	1	230*	100179	NUT, hex mscr	2
23	15W735	ARM, chamber, die	1	231*	110637	SCREW, mach, panhead	5
28	24F695	ENCLOSURE, valve	1	233▲	16D646	LABEL, ISO, hot surface	5
29	16F642	COVER, enclosure, valve box	1	259	16J470	LABEL, front burner lighting instructions	1
30	16A708	BLOCK, spacer, gas valve	1	280	16J865	PLATE, skid, torch, protector	1
32	118482	FITTING, elbow, 45	2	282	24J404	LABEL, regulator	1
33	125064	VALVE, needle, gas, 1/4 npt	2	317	24J589	SLEEVE, high temp, 1/4, bulk	1
34	15Y339	ROD, support, die	1	319*	16W410	BRACKET	1
35	125063	FITTING, flared, 1/4 pipe, adapter	1	320	16C333	DOOR	1
48	16H128	TUBE, formed, gas	1	323	156823	FITTING, union, swivel	1
52	16H106	BRACKET, support, manifold, front	1	340	24J590	SLEEVE, high temp, 3/8, bulk	6
55	24J868	KIT, repair, frame, ThermoLazer (includes 281, 282)	1	357	120975	BUSHING, strain relief	1
60	16T921	FITTING, flow chart	1	363	555458	ADAPTER, 1/8M BSPT x 1/8F NPTF	1
64	157350	FITTING, nipple, pipe, hex	1	400	24T765	KIT, repair, torch up burner (includes 67)	1
67	16H104	INDICATOR, burner	7	401+	100840	FITTING, elbow, street	1
		24H622	3	403+	127257	GAUGE, 300 psi	1
		24H625	3	404	24T885	KIT, repair, gauges	1
68	24J577	KIT, repair, manifold, front	1	405*	114984	SCREW, tapping, phillips pan hd	1
71	24J572	TUBE, formed, gas	1	406+	100030	BUSHING	1
73	24J587	KIT, repair, shroud, die (includes 233, 259)	1	407+	16W635	FITTING, filter	1
75	113958	RING, retaining, external	3	408+	156971	FITTING, nipple, short	1
76	16J486	TUBE, formed, gas	1	409+	104984	FITTING, tee, pipe	1
98	100721	FITTING, cap	1	410+	118484	FITTING, connector	1
99	123086	HOSE, propane w/ polswivel adapter	1	415+		PLUG, 1/4 NPT Brass Hex Hd	1
102	104641	FITTING, bulkhead	2	416	24C113	KIT, repair, fitting, ferrule	1
105*	112798	SCREW, thread forming, hex HD	14	417*	555455	ADAPTER, 1/8 x 1/8 npt	1
117*	16A061	TUBE, formed, gas, ThermoLazer	3	418*	103656	NIPPLE, 1/8 x 1/8 npt, male	1
118	16W412	TUBE, formed, gas, ThermoLazer	1	419*	123725	ELBOW, 1/8 x 1/8 npt, female	1
120*	100016	WASHER, lock	2	420*	128444	NIPPLE, 2.5 in, 1/8 x 1/8 npt	1
121*	100015	NUT, hex mscr	4	421*	16Y514	ADAPTER, flared, 1/8 npt	1
126	123085	CONTROL, igniter, pulse	1				
130*	125323	FITTING, inlet, pilot	1	**		<i>Includes 323 Fitting, union swivel</i>	
131	114104	SCREW, mach, hex wash HD	10	+		<i>Included in kit 24T885</i>	
142	110249	ADAPTER, male elbow 90 degr	2	*		<i>Included in kit 24U190</i>	
146	107257	SCREW, thd forming	25	▲		<i>Replacement safety labels, tags, and cards are available at no cost.</i>	

Parts - ThermoLazer 300TC (Models 24H622, 24H625)



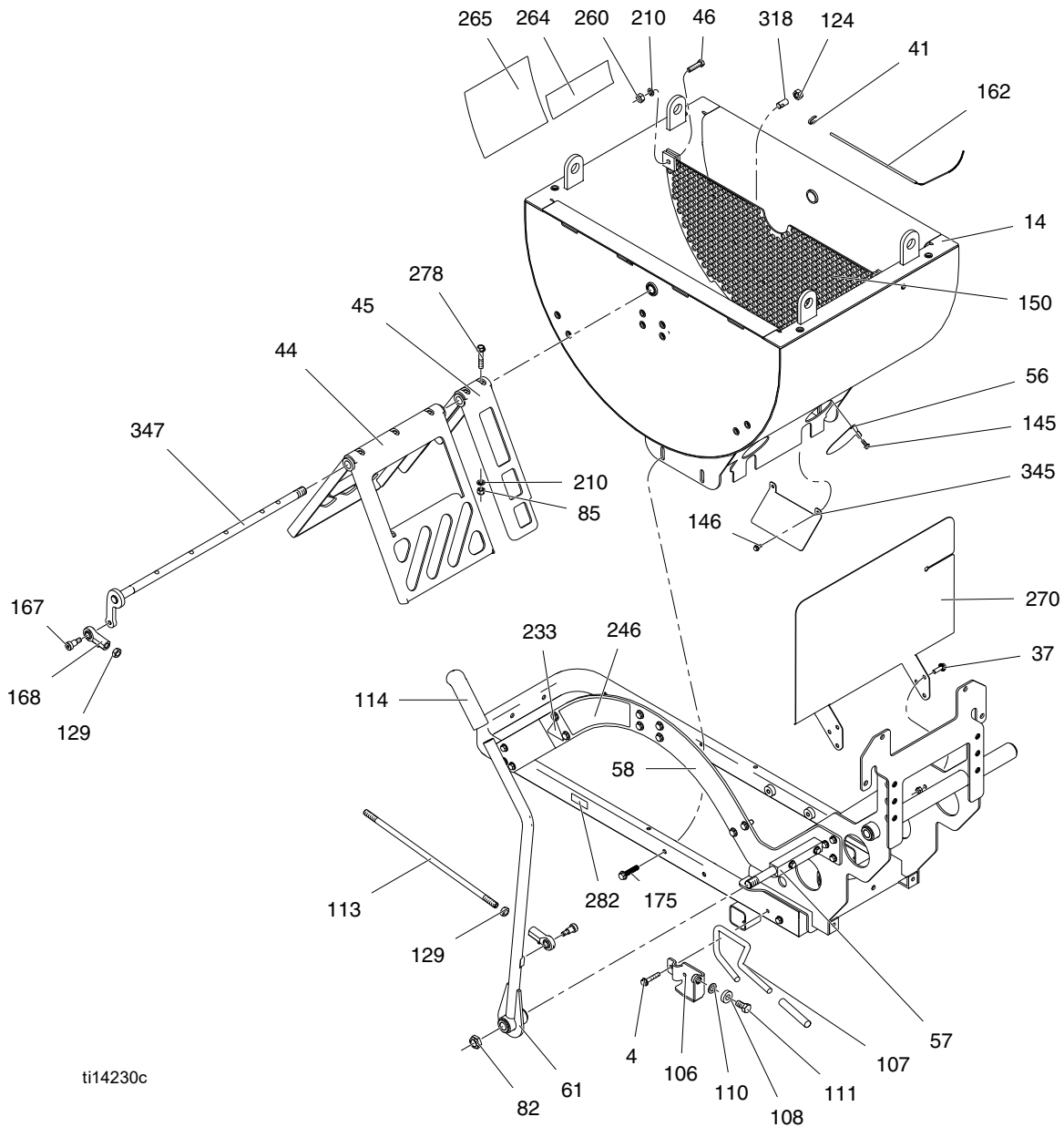
ti14229b

Parts List - ThermoLazer 300TC (Models 24H622, 24H625)

Ref.	Part	Description	Qty.	Ref.	Part	Description	Qty.
4	112960	SCREW, cap, flng HD	10	123	100023	WASHER, flat	5
5	102040	NUT, lock, hex	2	138	111145	KNOB, pronged	1
19	24F693	BRACKET, handle, mount	1	139	111192	SCREW, cap flang HD	26
21	24F694	HOLDER, tank, propane	1	140	110384	SCREW, cap, hex HD	2
22	16F641	BRACKET, support, tank, propane	1	141	113664	SCREW, cap, hex HD	1
23	15W735	ARM, chamber, die	1	143	114653	SCREW, cap, flange head	2
25	15X377	TUBE, support, beadbox	1	146	107257	SCREW, thd forming	22
26	16A481	BAR, mount, indicator, line	1	156	119545	BUSHING, strain, relief	2
31	110385	SCREW, cap, hex HD (5/16x3)	2	162	24C397	KIT, replacement, temperature control (includes 275)	1
37	112586	SCREW, cap, hex HD	13				
46	102637	SCREW, cap	3	167	123199	SCREW, shoulder, socket head	3
51	24C232	INDICATOR, line, ThermoLazer	1	174	121458	TIE, lanyard	1
55	24J868	KIT, repair, frame, ThermoLazer (includes 222, 224)	1	175	117779	SCREW, hex head, flanged	6
57	15W443	SHAFT, pivot, agitator	2	178	123186	TOOL, spark lighter	1
59	24J584	KIT, repair, mount, ThermoLazer, right (includes 233, 247)	1	190	170772	WASHER, plain	2
68	15W992	BAR, handle	1	192	194310	LEVER, actuator	1
77	15X286	TUBE, lock	1	204	16H582	TUBE, torch holder	1
79	15X287	BRACKET, lock	1	205	15X993	BOX, control	1
80	193405	AXLE	1	207	120151	RETAINER, caplug	3
81	111020	WHEEL, pneumatic	2	209	801012	GROMMET	1
82	112405	NUT, lock	6	221	116610	SCREW, mach, phil, pan, #10	13
83	112825	SPRING, belleville	10	222▲	16A274	LABEL, ISO, explosion	1
85	101566	NUT, lock	12	224▲	15Y963	LABEL ISO, read instructions	1
91	15F910	BRACKET, cable	1	233▲	16D646	LABEL, ISO, hot surfaces	5
92	114648	CAP, dust	3	247	16A317	LABEL, ThermoLazer, right	1
94	241445	CABLE	1	260	100131	NUT, full hex	3
97	111040	NUT, lock, insert, nylock, 5/16	23	270	16F660	SHIELD, heat, rear, ProMelt	1
105	112798	SCREW	14	275	16A873	LABEL, temperature control F & C	1
110	195134	SPACER, ball, guide	2	277	119563	WASHER, belleville	1
114	114659	GRIP, handle	5	278	114982	SCREW, cap, flng HD	11
119	108851	WASHER, plain	2	350	124655	GROMMET, high temp	1
122	15X995	COVER, control box	1				

▲ Replacement safety labels, tags, and cards are available at no cost.

Parts - ThermoLazer 300TC (Models 24H622, 24H625)



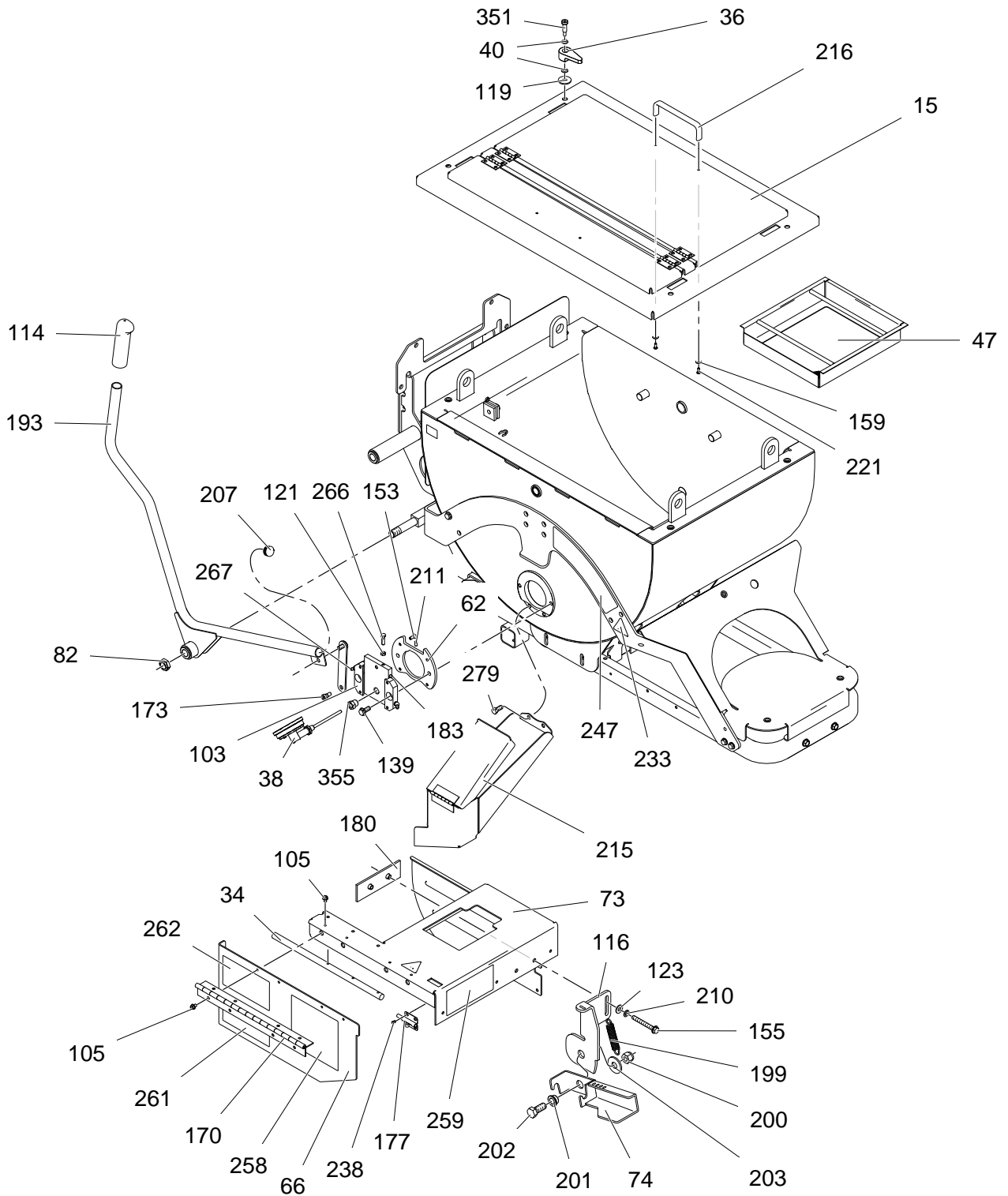
ti14230c

Parts List - ThermoLazer 300TC (Models 24H622, 24H625)

Ref.	Part	Description	Qty.	Ref.	Part	Description	Qty.
4	112960	SCREW, cap, flng HD	10	129	100111	NUT	2
14	16A404	RESERVOIR, Thermolazer, painted	1	145	112774	SCREW, mach, sltd hex wash HD	4
37	112586	SCREW, cap, hex HD	13	146	107257	SCREW, thd forming	22
41	16C018	CLIP, holder, wire	3	150	15X215	SCREEN, kettle	1
44	24C633	AGITATOR, large	1	162	24C397	KIT, replacement, temperature control (includes 41, 124, 318)	1
45	24C634	AGITATOR, small	1	167	123199	SCREW, shoulder, socket head	4
46	102637	SCREW, cap	3	168	123200	ROD, ball joint, end	2
56	15W440	CHAMBER, heat, site door	2	175	117779	SCREW, hex head, flanged	6
57	15W443	SHAFT, pivot, agitator	2	210	100133	WASHER, lock, 3/8	9
58	24J585	KIT, repair, mount, left (includes 233, 246)	1	233▲	16D646	LABEL, 2 in., ISO, hot surface	5
61	15W447	AGITATOR, arm	1	246	16A316	LABEL, brand, Thermolazer left	1
82	112405	NUT, lock	6	260	100131	NUT, full hex	3
85	101566	NUT, lock	10	265	15Y964	LABEL, footage counter	1
106	198891	BRACKET	1	270	16F660	SHIELD, heat, rear, Promelt	1
107	198930	ROD, brake	1	278	114982	SCREW, cap, flng HD	11
108	198931	BEARING	1	282	24J404	LABEL, Promelt regulator label	1
110	195134	SPACER, ball, guide	2	318	15Y792	HOLDER, temp probe	1
111	113961	SCREW, cap, hex HD	1	345	15W733	DEFLECTOR, heat	2
113	15Y673	ROD, pivot, agitator	1	347	258686	SHAFT, agitator	1
114	114659	GRIP, handle	5				
124	100681	NUT, jam, hex	1				

▲ Replacement safety labels, tags, and cards are available at no cost.

Parts - ThermoLazer 300TC (Models 24H622, 24H625)

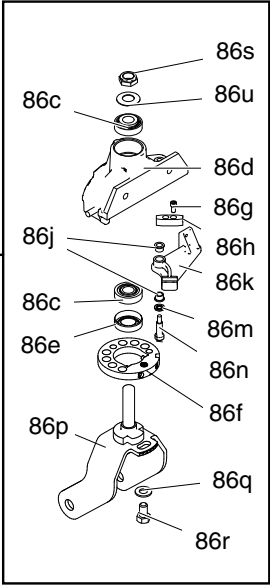
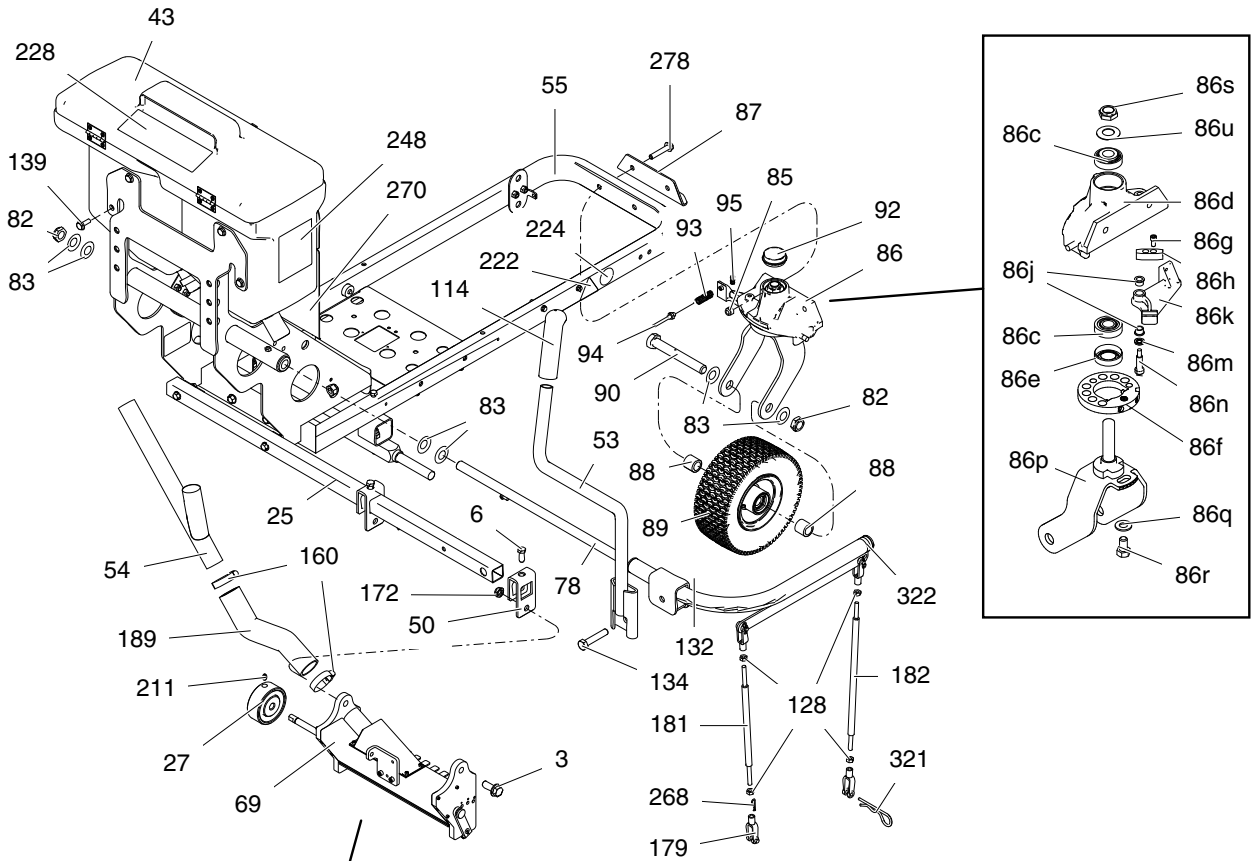


ti14231b

Parts List - ThermoLazer 300TC (Models 24H622, 24H625)

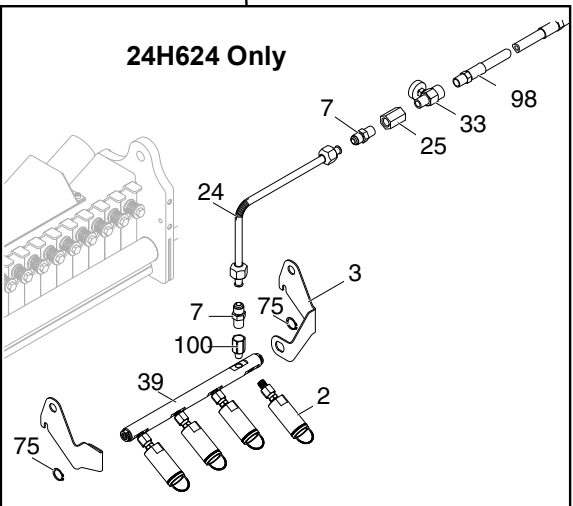
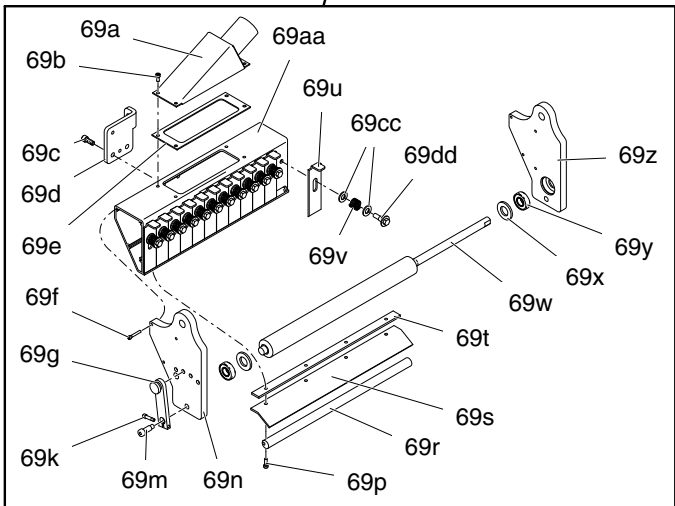
Ref.	Part	Description	Qty.	Ref.	Part	Description	Qty.
15	15W407	COVER, kettle	1	193	24B811	HANDLE, gate valve	1
34	15Y339	ROD, support, die	1	199	123206	SPRING, extension	1
36	15Y677	LATCH, cover	4	200	101712	NUT, lock	1
38	15Y679	THERMOMETER, temp gauge	1	201	123209	BEARING, flanged	1
40	113680	WASHER, wave	8	202	123208	SCREW, cap, hex head	1
47	257368	SCREEN, inlet	1	203	115028	WASHER, flat	1
62	16A065	FLANGE, mount, gate valve	1	207	120151	RETAINER, caplug	3
66	24J588	KIT, shroud, die, door (includes 258, 261, 262)	1	210	100133	WASHER, lock, 3/8	9
73	24J587	KIT, shroud, die (includes 233, 259)	1	211	100664	SCREW, set, sch	1
74	15W614	HANDLE, actuator	1	215	24J084	FUNNEL, complete	1
82	112405	NUT, lock	6	216	15W412	HANDLE, cover	2
103	16A066	PLATE, guide, gate valve	2	221	116610	SCREW, mach, phil, pan, #10	13
105	112798	SCREW, thread forming, hex HD	12	233▲	16D646	LABEL, 2 in., ISO, hot surface	5
114	114659	GRIP, handle	5	238	123035	RIVET, blind	4
116	15W737	BRACKET, tension, die	1	247	16A317	LABEL, brand, Thermolazer right	1
119	108851	WASHER, plain	6	258	16H841	LABEL, instruction, SmartDie II	1
121	100015	NUT, hex mscr	4	259	16J470	LABEL, front burner lighting ins	1
123	100023	WASHER, flat	5	261	16J468	LABEL, torch lighting instructio	1
139	111192	SCREW, cap flang HD	26	262	16J469	LABEL, rear burner lighting inst	1
153	123164	SCREW, sockethead, flat	4	266	100021	SCREW, cap hex HD	1
155	116935	SCREW, cap, flnghd	2	267	100847	FITTING, lubrication	2
159	112776	WASHER, plain (24H622 only)	4	279	100680	SCREW, cap, hex HD	2
170	123154	HINGE, access door	1	351	120476	BOLT, shoulder, 5/16	4
173	121256	SCREW, shoulder, skt HD	1	355	168160	BUSHING, pipe	1
177	123099	LOCK, slide barrel	1	▲ Replacement safety labels, tags, and cards are available at no cost.			
180	15Y949	PLATE, back support	1				
183	24C105	GATE, valve, finished	1				

Parts - ProMelt (Model 24H624)



ti17085d

ti17085d

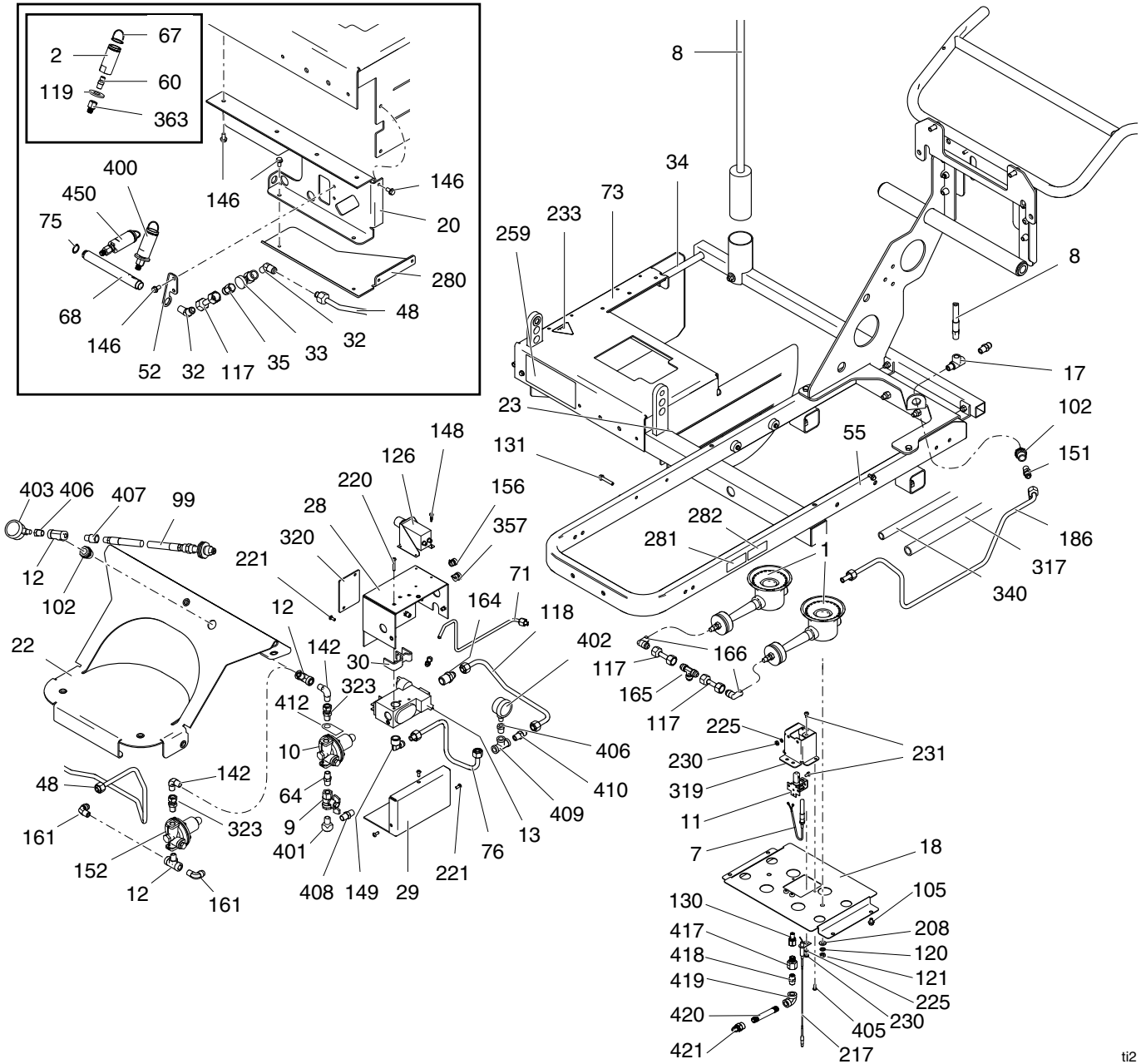


Parts List - ProMelt (Model 24H624)

Ref.	Part	Description	Qty.	Ref.	Part	Description	Qty.
2	24J570	KIT, repair, torch head, die	7	86p	17H485	SHAFT, fork	1
3	111195	SCREW, cap, flng HD	2	86q	113962	WASHER, hardened, SAE	1
6	100101	SCREW, cap, hex HD	2	86r	114681	SCREW, cap, hex HD	1
25	15X377	TUBE, support, beadbox	1	86s	112405	NUT, lock	1
27	15X765	WHEEL, drive, bead	1	86u	112825	SPRING, belleville	2
33	125064	VALVE, needle, gas, 1/4 npt	2	87	240991	BRACKET, caster, front	1
39	24J578	KIT, repair, manifold, rear	1	88	193658	NUT, seal	2
43	24J865	KIT, replacement, bead hopper (includes 228, 248, 264)	1	89	114549	WHEEL, pneumatic	1
50	257399	CLAMP, beadbox	2	90	113471	SCREW, cap, hex HD	1
53	257455	HANDLE, lift, die/bead dispenser	1	92	114648	CAP, dust	3
54	257617	CONNECTOR, bead box hose	1	93	114682	SPRING, compression	1
55	24J586	KIT, repair, frame, (includes 222, 224)	1	94	241445	KIT, cable	1
69	24R144	BOX,bead,12",with 1" gages	1	95	114802	STOP, wire	1
69a	257378	MANIFOLD, assembly	1	98	16Y249	HOSE, torch, rear	1
69b	112788	SCREW, cap, sockethead	4	100	159840	ADAPTER	1
69c	121112	SCREW, cap, sockethead	2	104	16H192	BRACKET, support, manifold, rear, left	1
69d	16U614	BRACKET, beadbox, linkage	1	109	16H107	BRACKET, support, manifold, rear, right	1
69e	16A243	GASKET, foam	1	114	114659	GRIP, handle	5
69f	110631	SCREW, sockethead	8	115	101550	SCREW, cap, sch	4
69g	24J866	HANDLE, adjuster, bead	1	128	100187	NUT	4
69k	295709	SCREW, cap, sockethead	1	132	801020	NUT, lock	1
69m	123481	SCREW, shoulder, screw, 1/4-20	2	134	114766	BOLT, cap hex head	1
69n	16H292	BRACKET, right, bead dispenser	1	139	111192	SCREW, cap flang HD	25
69p	112310	SCREW, cap, sch	4	151	118484	FITTING, connector	4
69r	15X281	ADJUSTER	1	160	116789	CLAMP, hose	6
69s	15X274	GATE, poly	1	172	119547	NUT, hex, lock, nylon, thin	2
69t	15X275	GATE, bar	1	179	15V415	CLEVIS	4
69u	16U612	PLATE, slide1"	12	181	16A041	SHAFT, threaded	1
69v	114708	SPRING, compression	12	182	16H291	SHAFT, threaded	1
69w	24C672	SHAFT, bead assembly kit	1	189	16A100	HOSE, bead	3
69x	114797	GASKET	2	211	100664	SCREW, set, sch	1
69y	123304	BEARING, double sealed	2	222▲	16A274	LABEL, ISO explosion	1
69z	16H293	BRACKET, left, bead dispenser	1	224	15Y963	LABEL, kettle burners lighting	1
69aa	16U613	HOUSING, dispenser 12",12 holes	1	228▲	16A276	LABEL, ISO symbols warn & instru	1
69cc	104034	WASHER, plain	24	248	16E335	LABEL, brand, Graco	2
69dd	119872	SCREW, shoulder	12	264▲	15Y966	LABEL, fire and explosion	1
75	113958	RING, retaining, external	3	268	120592	PIN, cotter, hairpin	3
78	15W873	ARM, die/bead dispenser	1	270	16F660	SHIELD, heat, rear, ProMelt	1
82	112405	NUT, lock	6	278	114982	SCREW, cap, flng HD	6
83	112825	SPRING, belleville	10	299	24H619	KIT, accessory, rear torch (includes 2, 98, 151, 33, 115, 104, 70, 60, 67, 109, 75, 39, 100, 112, 372, 373)	1
85	101566	NUT, lock	7	321	123385	PIN, cotter, hairpin	2
86	24H246	CASTER, ProMelt, blue	1	322	112853	PLUG, tubing	1
86c	113485	BEARING, cup/cone	2	372	113093	CONNECTOR, pipe	1
86d	15G952	CASTER, machine	1	373	16Y844	TUBE, formed, gas	1
86e	113484	SEAL, grease	1	374	16Y885	KIT, rear die hose (includes 33, 98, 100, 151, 373)	1
86f	17H486	DISK, adjuster	1				
86g	110754	SCREW, cap, sch	2				
86h	193662	STOP, wedge	1				
86j	114548	BEARING, bronze	2				
86k	193528	ARM, detent	1				
86m	15J603	SPACER, round, .625 in.	1				
86n	120476	BOLT, shoulder, 5/16	1				

▲ Replacement safety labels, tags, and cards are available at no cost.

Parts - ProMelt (Model 24H624)



ti2

Parts List - ProMelt (Model 24H624)

Ref.	Part	Description	Qty.	Ref.	Part	Description	Qty.
1	24C394	KIT, replacement, burner (Series A, B and C Models)	2	151	118484	FITTING, connector	4
	*16Y284	RING, burner (Series D Models only)	2	152**	24L884	KIT, REGULATOR, LP gas, 20 psi	1
2	24J570	KIT, repair, torch head, die (includes 67)	7	156	119545	BUSHING, strain, relief	2
7*‡	122944	FITTING, Thermopile	1	161	100840	FITTING, flared, 1/4 pipe, 90 elbow	2
8	125032	TOOL, torch	1	164	123157	FITTING, flared, 1/2 pipe, adapter	1
9	122946	VALVE, shut off	1	165*	123158	FITTING, flared, 3/8 tube, tee	1
10	**24L883	KIT, REGULATOR, LP gas, 5 psi (Series A, B and C Models only)	1	166*	125241	FITTING, flared, 1/8 npt x 90 elbow	2
	*16Y705	KIT, regulator, LP gas, 3 psi (Series D Model)	1	186	16F282	TUBE, formed, gas	1
11*	24T749	KIT, repair, pilot, (includes 130)	1	208*	110755	WASHER, plain	2
12	108638	TEE, male	2	217*‡	127255	ELECTRODE	1
13	16F638	KIT, repair, valve, gas, (includes 71, 149, 164)	1	220	111235	SCREW, mach, pnh	3
17	106228	FITTING, tee, street	1	221	116610	SCREW, mach, phil, pan, #10	9
18*	16J484	PLATE, mount, burner	1	225*‡	100020	WASHER, lock	3
20	16H105	BRACKET, support, burner, front	1	230*‡	100179	NUT, hex mscr	3
22	16F641	BRACKET, support, tank, propane	1	231*‡	110637	SCREW, mach, panhead	6
23	15W735	ARM, chamber, die	1	233▲	16D646	LABEL, ISO, hot surfaces	5
28	24F695	ENCLOSURE, valve	1	259	16J470	LABEL, front burner lighting	1
29	16F642	COVER, enclosure, valve box	1	280	16J865	PLATE, skid, torch, protector	1
30	16A708	BLOCK, spacer, gas valve	1	281	24J403	LABEL, regulator	1
32	118482	FITTING, elbow, 45	2	282	24J404	LABEL, regulator	1
33	125064	VALVE, needle, gas, 1/4 npt	2	317	24J589	KIT, repair, sleeve, heat, 1/4	1
34	15Y339	ROD, support, die	1	319*‡	16W410	BRACKET	1
35	125063	FITTING, flared, 1/4 pipe, adapter	1	320	16C333	DOOR	1
48	16H128	TUBE, formed, gas	1	323	156823	FITTING, union swivel	1
52	16H106	BRACKET, support, manifold, front	1	340	24J590	KIT, repair, sleeve, heat, 3/8	1
55	24J586	KIT, repair, frame (includes 281, 282)	1	357	120975	BUSHING, strain relief	1
60	16T921	FITTING, flow control	1	363	555458	ADAPTER, 1/8M BSPT x 1/8F NPTF	1
64	156971	FITTING, nipple, short	1	400	24T765	KIT, repair, torch up burner (includes 67)	1
67	16H104	INDICATOR, burner	7	401+	100840	FITTING, elbow, street	1
68	24J577	KIT, repair, manifold, front	1	402+	16Y229	GAUGE, 15 psi	1
71	24J572	KIT, repair, pilot, tube	1	403+	127257	GAUGE, 300 psi	1
73	24J587	KIT, repair, shroud, die (includes 233, 259)	1	404	24T750	KIT, repair, gauges	1
75	113958	RING, retaining, external	3	405*‡	114984	SCREW, tapping, phillips pan hd	2
76	16J486	TUBE, formed, gas	1	406+	100030	BUSHING	1
99	123086	HOSE, propane w/ polswivel adapter	1	407+	16W635	FITTING, filter	1
102	104641	FITTING, bulkhead	2	408+	156971	FITTING, nipple, short	1
105*	112798	SCREW, thread forming, hex HD	14	409+	104984	FITTING, tee, pipe	1
117*	16A061	TUBE, formed, gas	3	410+	118484	FITTING, connector	1
118	16W412	TUBE, formed, gas	1	411	24C113	KIT, repair, fitting, ferrule	1
120*	100016	WASHER, lock	2	412*	24S074	LABEL, 3 psi system	1
121*	100015	NUT, hex mscr	4	417*‡	555455	ADAPTER, 1/8 x 1/8 npt	1
126	123085	CONTROL, igniter, pulse	1	418*‡	103656	NIPPLE, 1/8 x 1/8 npt, male	1
130*‡	125324	FITTING, inlet, pilot	1	419*‡		ELBOW, 1/8 x 1/8 npt, female	1
131	114104	SCREW, mach, hex wash HD	10	420*‡	128444	NIPPLE, 2.5 in, 1/8 x 1/8 npt	1
142	110249	ADAPTER, male elbow 90 degr	2	421*‡	16Y514	ADAPTER, flared, 1/8 npt	1
146	107257	SCREW, thd forming	40				
148	122667	SCREW, drill, hex washer head	3				
149	118458	FITTING, elbow, male	1				

** Includes 323 Fitting, union swivel

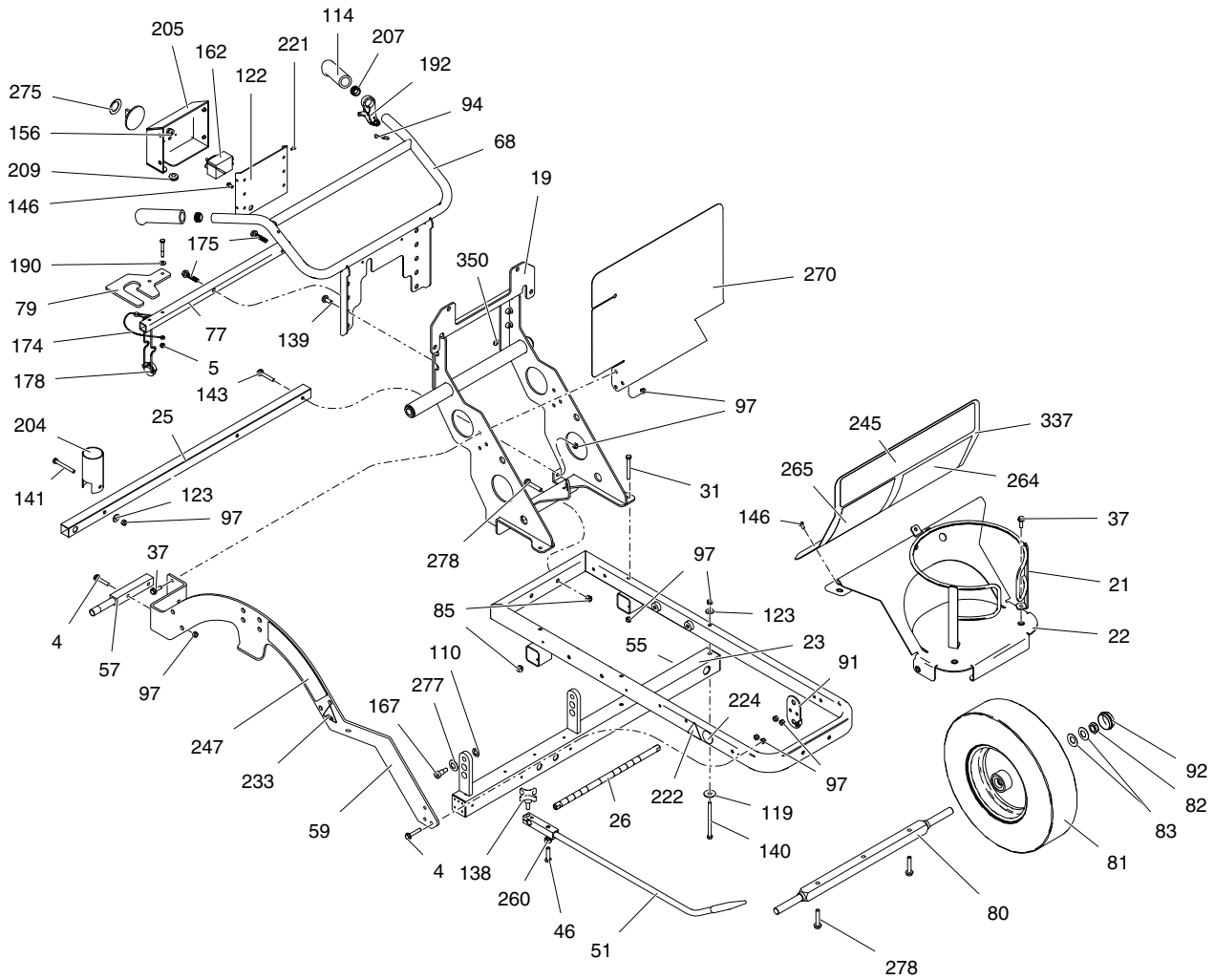
+ Included in kit 24T750

* Included in kit 24X017

‡ Included in Kit 24T749

▲ Replacement safety labels, tags, and cards are available at no cost.

Parts - ProMelt (Model 24H624)



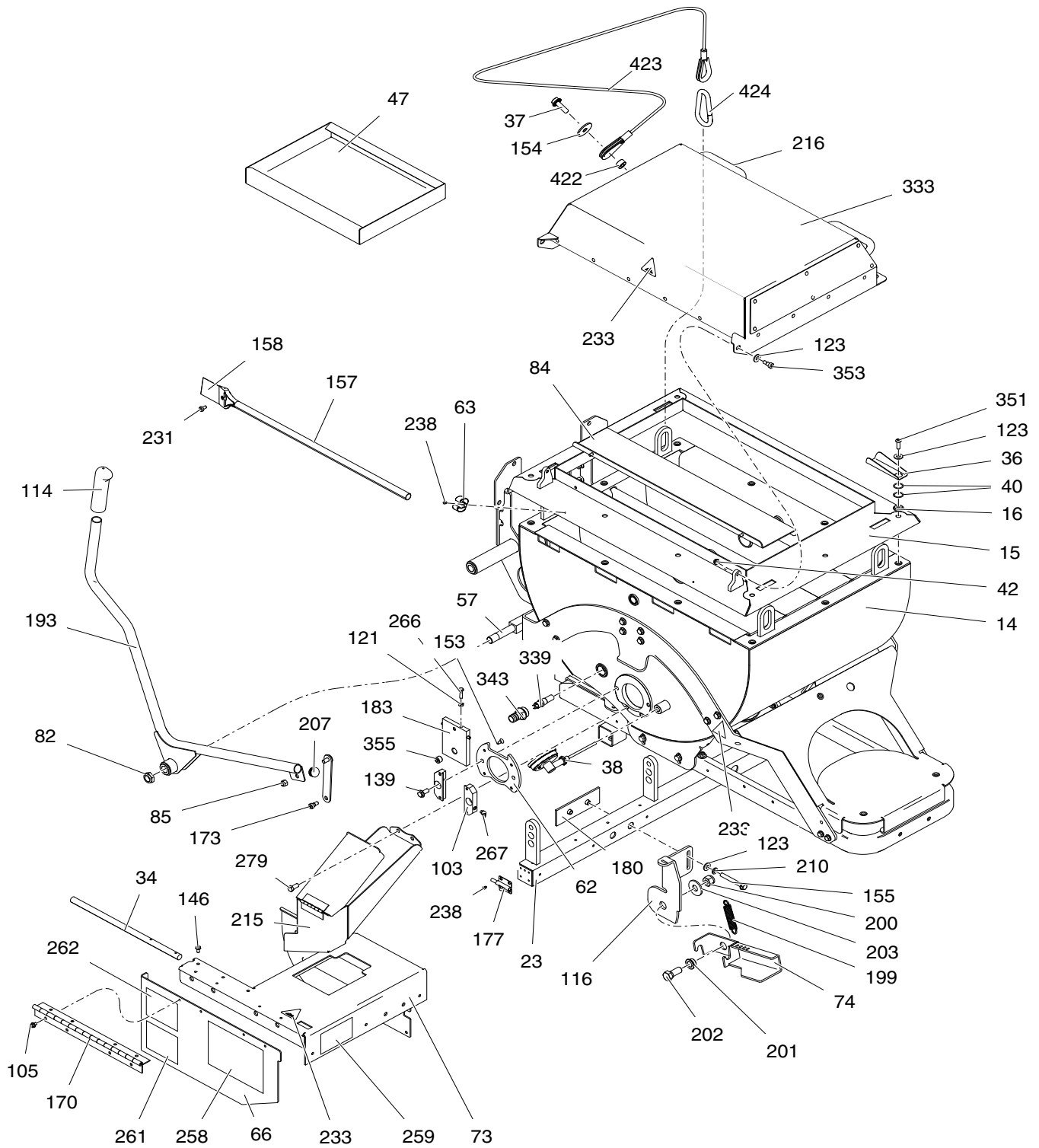
ti17087c

Parts List - ProMelt (Model 24H624)

Ref.	Part	Description	Qty.	Ref.	Part	Description	Qty.
4	112960	SCREW, cap, flng HD	10	140	110384	SCREW, cap, hex HD	2
5	102040	NUT, lock, hex	2	141	113664	SCREW, cap, hex HD	1
19	24F693	BRACKET, handle, mount	1	143	114653	SCREW, cap, flange head	2
21	24F694	HOLDER, tank, propane	1	146	107257	SCREW, thd forming	37
22	16F641	BRACKET, support, tank, propane	1	156	119545	BUSHING, strain, relief	2
23	15W735	ARM, chamber, die	1	162	24J569	KIT, repair, temp, control ProMelt (includes 275)	1
25	15X377	TUBE, support, beadbox	1	167	123199	SCREW, shoulder, socket head	3
26	16A481	BAR, mount, indicator, line	2	174	121458	TIE, lanyard	1
31	110385	SCREW, cap, hex HD (5/16x3)	1	175	117779	SCREW, hex head, flanged	6
37	112586	SCREW, cap, hex HD	14	178	123186	TOOL, spark lighter	1
46	102637	SCREW, cap	1	190	170772	WASHER, plain	2
51	24C232	INDICATOR, line, thermolazer	1	192	194310	LEVER, actuator	1
55	24J586	KIT, repair, frame (includes 222, 224)	1	204	16H582	TUBE, torch holder	1
57	15W443	SHAFT, pivot, agitator	2	205	15X993	BOX, control	1
59	24J582	KIT, repair, mount, ProMelt, right (includes 233, 247)	1	207	120151	RETAINER, caplug	3
68	15W992	BAR, handle	1	209	801012	GROMMET	1
77	15X286	TUBE, lock	1	221	116610	SCREW, mach, phil, pan, #10	9
79	15X287	BRACKET, lock	1	222▲	16A274	LABEL, ISO, explosion	1
80	193405	AXLE	1	224	15Y963	LABEL, kettle burners, lighting	1
81	111020	WHEEL, pneumatic	2	233▲	16D646	LABEL, ISO, hot surface	5
82	112405	NUT, lock	6	245	16H076	LABEL, brand, ThermoLazer Pro- Melt front	1
83	112825	SPRING, belleville	10	247	16H075	LABEL, brand, ThermoLazer Pro- Melt right	1
85	101566	NUT, lock	7	260	100131	NUT, full hex	1
91	15F910	BRACKET, cable	1	265	15Y964	LABEL, kettle lighting instruction	1
92	114648	CAP, dust	3	270	16F660	SHIELD, heat, rear, Promelt	1
94	241445	KIT, repair, cable	1	275	16A873	LABEL, temperature control F & C	1
97	111040	NUT, lock, insert, nylock, 5/16	23	277	119563	WASHER, belleville	1
105	112798	SCREW	14	278	114982	SCREW, cap, flng HD	6
110	195134	SPACER, ball, guide	2	337	24J576	KIT, repair, heat shield, front (includes 245, 265)	1
114	114659	GRIP, handle	5	350	124655	GROMMET, high temp	1
119	108851	WASHER, plain	2				
122	15X995	COVER, control box	1				
123	100023	WASHER, flat	17				
138	111145	KNOB, pronged	1				
139	111192	SCREW, cap flang HD	25				

▲ Replacement safety labels, tags, and cards are available at no cost.

Parts - ProMelt (Model 24H624)



ti17088b

Parts List - ProMelt (Model 24H624)

Ref.	Part	Description	Qty.	Ref.	Part	Description	Qty.
14	24J579	KIT, repair, kettle, ProMelt	1	183	24C105	GATE, valve, finished	1
15	24F692	COVER, kettle, ProMelt	1	193	24B811	HANDLE, gate valve	1
16	16H285	SPACER, latch, ProMelt	2	199	123206	SPRING, extension	1
23	15W735	ARM, chamber, die	1	200	101712	NUT, lock	1
34	15Y339	ROD, support, die	1	201	123209	BEARING, flanged	1
36	16F643	LATCH, cover, Promelt	2	202	123208	SCREW, cap, hex head	1
37	112586	SCREW, cap, hex hd	1	203	115028	WASHER, flat	1
38	15Y679	THERMOMETER, temp gauge	1	207	120151	RETAINER, caplug	3
40	116038	WASHER, wave spring	4	210	100133	WASHER, lock, 3/8	2
42	115942	NUT, hex, flange head	2	215	24J084	FUNNEL, complete	1
47	16F697	SCREEN, inlet, ProMelt	1	216	16F727	HANDLE, cover	2
57	15W443	SHAFT, pivot, agitator	2	231	110637	SCREW, machine, panhead	6
62	16A065	FLANGE, mount, gate valve	1	233▲	16D646	LABEL, ISO, hot surface	5
63	125270	RETAINER, clip	2	238	123035	RIVET, blind	6
66	24J588	KIT, shroud, door, die (includes 258, 261, 262)	1	258	16H841	LABEL, SmartDie II, instructions	1
73	24J587	KIT, shroud, die (includes 233, 259)	1	259	16J470	LABEL, front burner lighting instructions	1
74	15W614	HANDLE, actuator	1	261	16J468	LABEL, torch lighting instructions	1
82	112405	NUT, lock	5	262	16J469	LABEL, rear screed burner	1
84	16H286	PLATE, filler, kettle	1	266	100021	SCREW, cap hex HD	1
85	101566	NUT, lock	7	267	100847	FITTING, lubrication	2
103	16A066	PLATE, guide, gate valve	2	279	100680	SCREW, cap, hex HD	2
105	112798	SCREW, thread forming, hex HD	12	333	24J867	KIT, repair, lid (includes 216, 233, 354)	1
114	114659	GRIP, handle	5	339	124610	SENSOR, high temp, control	1
116	15W737	BRACKET, tension, die	1	343	16F655	PLUG, thermowell, ProMelt	1
121	100015	NUT, hex mscr	4	351	125112	SCREW, cap, btn HD, 5/16 X 1	10
123	100023	WASHER, flat	17	353	108859	SCREW, shoulder, sch (24H624 only)	2
139	111192	SCREW, cap flang HD	25	355	101754	PLUG, pipe	1
146	107257	SCREW, thd forming	37	365	24J573	KIT, repair, lid, Promelt (includes 63, 238, 84, 42, 15, 16, 40, 36, 123, 351, 333, 353, 123, 146)	1
153	123164	SCREW, sockethead, flat	4	422	17S349	SPACER, cover	1
154	120659	WASHER, flat	1	423	17S350	CABLE, lanyard	1
155	116935	SCREW, cap, flnghd	2	424	17S351	ADAPTER, carabiner	1
157	24J179	KIT, accessory, scraper, long (includes 158, 231)	1				
158	24J356	BLADE, scraper (5 pk)	1				
170	123154	HINGE, access door	1				
173	121256	SCREW, shoulder, skt HD	1				
177	123099	LOCK, slide barrel	1				
180	15Y949	PLATE, back support	1				

▲ Replacement safety labels, tags, and cards are available at no cost.

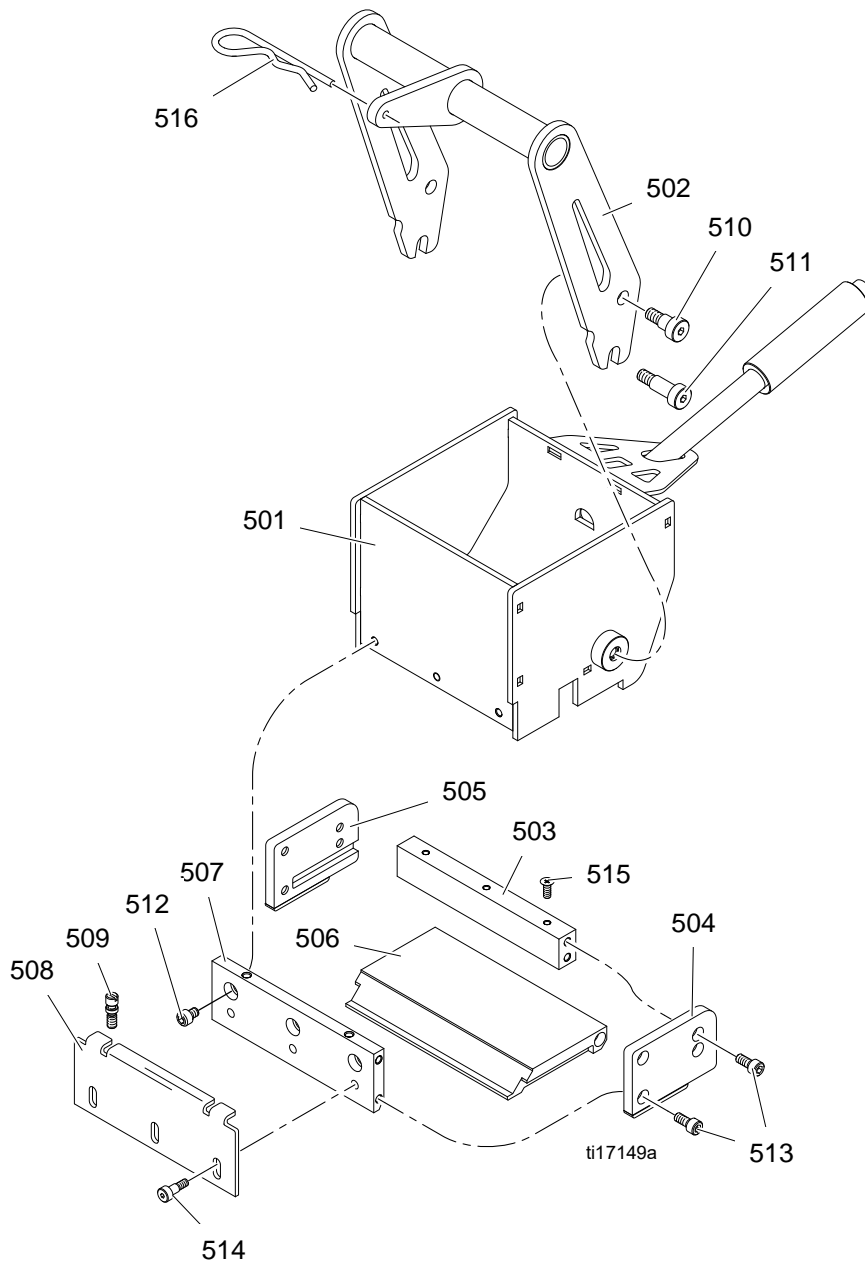
Parts List - ProMelt (Model 24H624)

Ref.	Part	Description	Qty.	Ref.	Part	Description	Qty.
4	112960	SCREW, cap, flng HD	10	137	111045	SCREW, shoulder	4
14	24J579	KIT, repair, kettle, ProMelt (includes 344, 56, 345, 346, 145, 146, 137)	1	139	111192	SCREW, cap flang HD	25
37	112586	SCREW, cap, hex HD	14	146	107257	SCREW, thd forming	37
41	16C018	CLIP, holder, wire	1	154	120659	WASHER, falt	1
44	24F696	AGITATOR, ProMelt, wide	3	162	24J569	KIT, repair, temperature control, ProMelt (includes 41, 124)	1
45	24F697	AGITATOR, ProMelt, narrow	1	167	123199	SCREW, shoulder, socket head	3
55	24J586	KIT, repair, frame	1	168	123200	ROD, ball joint, end	2
57	15W443	SHAFT, pivot, agitator	2	175	117779	SCREW, hex head, flanged	6
58	24J583	KIT, repair, mount, ProMelt, left (includes 233, 247)	1	233▲	16D646	LABEL, ISO, hot surface	5
61	15W447	AGITATOR, arm	1	247	16H074	LABEL, ThermoLazer ProMelt	1
82	112405	NUT, lock	5	321	123385	PIN, cotter, hairpin	2
97	111040	NUT, lock, insert, nylock, 5/16	23	338	16H584	FENDER, ProMelt	2
106	198891	BRACKET	1	344	16F656	SHIELD, kettle, bottom, ProMelt	2
107	198930	ROD, brake	1	345	24J571	KIT, repair, baffle, kettle (includes 346, 137)	1
108	198931	BEARING	1	346	16F658	BAFFLE, heat, insulated, ProMelt	1
110	195134	SPACER, ball, guide	2	347	24F699	SHAFT, agitator, ProMelt	1
111	113961	SCREW, cap, hex HD	1	348	16F728	FITTING, arm mount agitator	2
113	16F729	ROD, threaded, ProMelt	1	349	16F645	HANDLE, agitator, ProMelt	1
114	114659	GRIP, handle	5	352	124628	SCREW, shoulder, sch	1
124	100681	NUT, jam, hex	1				
129	100111	NUT	2				
131	114104	SCREW, mach, hex wash HD	10				

▲ Replacement safety labels, tags, and cards are available at no cost.

Parts - SmartDie II Box

17A173	2 in. (5 cm)
24H431	3 in. (8 cm)
24H426	4 in. (10 cm)
17J250	4.75 in. (12 cm)
24H432	5 in. (13 cm)
24H427	6 in. (15 cm)
24H433	7 in. (18 cm)
24H428	8 in. (20 cm)
24H434	9 in. (22.5 cm)
24H429	10 in. (25 cm)
24H430	12 in. (30 cm)
17A174	16 in. (40 cm)
26D111	18 in. (45 cm)

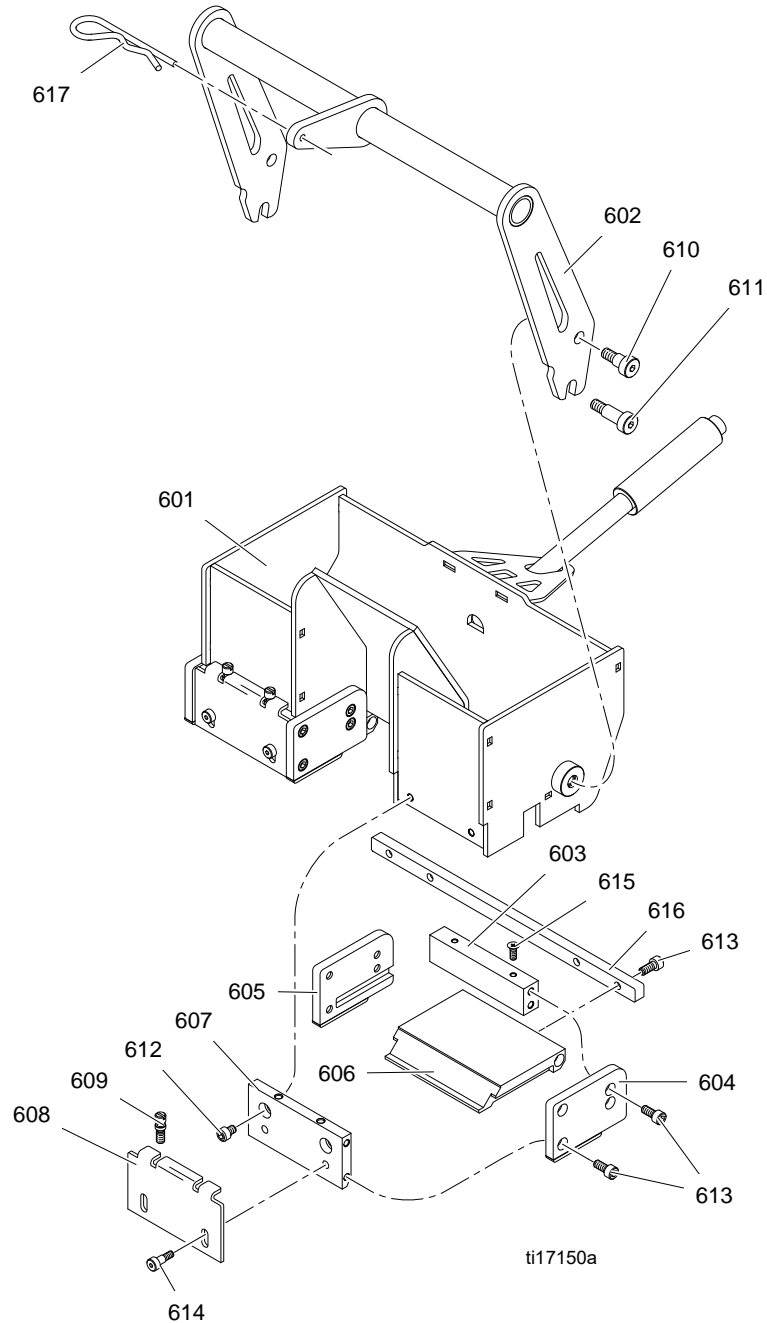


Parts List - SmartDie II Box

Ref.	Part	Description	Qty.	Ref.	Part	Description	Qty.
19	104541	NUT, lock (26D111) (not shown)	2	16H015	BAR, shear (24H427)	1	
20	867539	SCREW, 5/16-18 x 3.75 hx (26D111) (not shown)	2	16H021	BAR, shear (24H433)	1	
21	26D563	BRACKET, smart die (26D111) (not shown)	1	16H016	BAR, shear (24H428)	1	
501	24H565	BOX, die, weldment (17A173)	1	16H022	BAR, shear (24H434)	1	
	24H562	BOX, die, weldment (24H431)	1	16H017	BAR, shear (24H429)	1	
	24H563	BOX, die, weldment (24H426)	1	16H018	BAR, shear (24H430)	1	
	17J251	BOX, die, weldment (17J250)	1	17A185	BAR, shear (17A174)	1	
	24H564	BOX, die, weldment (24H432)	1	18F296	BAR, shear (26D111)	1	
	24H565	BOX, die, weldment (24H427)	1	507	16H025	BAR, shear, stop (17A173)	1
	24H566	BOX, die, weldment (24H433)	1		16H029	BAR, shear, stop (24H431)	1
	24H567	BOX, die, weldment (24H428)	1		16H024	BAR, shear, stop (24H426)	1
	24H568	BOX, die, weldment (24H434)	1		17J263	BAR, shear, stop (17J250)	1
	24H569	BOX, die, weldment (24H429)	1		16H030	BAR, shear, stop (24H432)	1
	24H570	BOX, die, weldment (24H430)	1		16H025	BAR, shear, stop (24H427)	1
	17A176	BOX, die, weldment (17A174)	1		16H031	BAR, shear, stop (24H433)	1
	26D124	BOX, die, weldment (26D111)	1		16H026	BAR, shear, stop (24H428)	1
502	24H574	YOKE, weldment (17A173)	1		16H032	BAR, shear, stop (24H434)	1
	24H571	YOKE, weldment (24H431)	1		16H027	BAR, shear, stop (24H429)	1
	24H572	YOKE, weldment (24H426)	1		16H028	BAR, shear, stop (24H430)	1
	17J256	YOKE, weldment (17J250)	1		17A187	BAR, shear, stop (17A184)	1
	24H573	YOKE, weldment (24H432)	1		18F295	BAR, shear, stop (26D111)	1
	24H574	YOKE, weldment (24H427)	1	508	17A188	PLATE, screed, adjustable (17A173)	1
	24H575	YOKE, weldment (24H433)	1		16H033	PLATE, screed, adjustable (24H431)	1
	24H576	YOKE, weldment (24H428)	1		16H034	PLATE, screed, adjustable (24H426)	1
	24H577	YOKE, weldment (24H434)	1		17J264	PLATE, screed, adjustable (17J250)	1
	24H578	YOKE, weldment (24H429)	1		16H035	PLATE, screed, adjustable (24H432)	1
	24H579	YOKE, weldment (24H430)	1		16H036	PLATE, screed, adjustable (24H427)	1
	17A179	YOKE, weldment (17A174)	1		16H037	PLATE, screed, adjustable (24H433)	1
	26D125	YOKE, weldment (26D111)	1		16H038	PLATE, screed, adjustable (24H428)	1
503	16G996	BAR, support (17A173)	1		16H039	PLATE, screed, adjustable (24H434)	1
	16H001	BAR, support (24H431)	1		16H040	PLATE, screed, adjustable (24H429)	1
	16G995	BAR, support (24H426)	1		16H041	PLATE, screed, adjustable (24H430)	1
	17J260	BAR, support (17J250)	1		17A189	PLATE, screed, adjustable (17A184)	1
	16H006	BAR, support (24H432)	1		18F297	PLATE, screed, adjustable (26D111)	1
	16G996	BAR, support (24H427)	1	509	16H044	SCREW, adjustment, screed	2
	16H007	BAR, support (24H433)	1	510	125028	SCREW, shoulder, socket head M8	2
	16G997	BAR, support (24H428)	1	511	125027	SCREW, shoulder, socket head M8	2
	16H008	BAR, support (24H434)	1	512	110501	SCREW, cap sch, M6 x 8	7
	16G998	BAR, support (24H429)	1		(24H431,24H426, 24H432, 24H427, 24H433 ,24H428, 24H434, 24H429, 24H430, 26D111)		
	16G999	BAR, support (24H430)	1	513	121518	SCREW, cap, shc	8
	17A183	BAR, support (17A174)	1	514	125029	SCREW, shoulder, socket head M5	5
	18F282	BAR, support (26D111)	1		(24H431,24H426, 24H432, 24H427, 24H433 ,24H428, 24H434, 24H429, 24H430, 26D111)		
504	24H581	PLATE, die runner, right	1	515	123340	SCREW, mach, flat head, undercut	6
505	24H580	PLATE, die runner, left	1		(24H431,24H426, 24H432, 24H427, 24H433 ,24H428, 24H434, 24H429, 24H430, 26D111)		
506	17A184	BAR, shear (17A173)	1	516	123385	PIN	1
	16H019	BAR, shear (24H431)	1				
	16H014	BAR, shear (24H426)	1				
	17J262	BAR, shear (17J250)	1				
	16H020	BAR, shear (24H432)	1				

Parts - Double Line Die Box

24H435	4-3-4 in. (10-8-10 cm)
24H436	4-4-4 in. (10-10-10 cm)
24H437	3-3-3 in. (8-8-8 cm)
24J785	4-6-4 in. (10-15-10 cm)
17R378	5-5-5 in. (13-13-13 cm)
26C273	6-3-6 in. (15-8-15 cm)



Parts List - Double Line Die Box

Ref.	Part	Description	Qty.	Ref.	Part	Description	Qty.
601	24H647	BOX, die, weldment (24H435)	1		16H035	PLATE, screed, adjustable (17R378)	2
	24H648	BOX, die, weldment (24H436)	1		16H036	PLATE, screed, adjustable (26C273)	2
	24H649	BOX, die, weldment (24H437)	1	609	16H044	SCREW, adjustment, screed	4
	24J784	BOX, die, weldment (24J785)	1	610	125028	SCREW, shoulder, socket head M8	4
	17R379	BOX, die, weldment (17R378)	1	611	125027	SCREW, shoulder, socket head M8	4
	26C274	BOX, die, weldment (26C273)	1	612	110501	SCREW, cap, sch M6 x 8	4
602	24H652	YOKE, weldment (24H435)	1			SCREW, cap, sch M6 x 8 (17R378)	6
	24H579	YOKE, weldment (24H436)	1			SCREW, cap, sch M6 x 8 (26C273)	6
	24H577	YOKE, weldment (24H437)	1	613	121518	SCREW, cap, shc	20
	24J783	YOKE, weldment (24J785)	1	614	125029	SCREW, shoulder, socket head M5	4
	17R382	YOKE, weldment (17R378)	1			SCREW, shoulder, socket head M5 (17R378)	6
		YOKE, weldment (26C273)	1	615	123340	SCREW, mach, flat head, undercut	4
603	16G995	BAR, support (24H435, 24H436, 24J785)	1			SCREW, mach, flat head, undercut (17R378)	6
	16H001	BAR, support (24H437)	1			SCREW, mach, flat head, undercut (26C273)	6
	16H006	BAR, support (17R378)	1			SCREW, mach, flat head, undercut (17R378)	6
	16G996	BAR, support (26C273)	1			SCREW, mach, flat head, undercut (26C273)	6
604	24H581	PLATE, die runner, right	2	616	16H189	GUIDE, bar, shear, double (24H435)	1
605	24H580	PLATE, die runner, left	2		16H161	GUIDE, bar, shear, double (24H436)	1
606	16H159	BAR, shear, die, double (24H435, 24H436, 24J785)	2		16H162	GUIDE, bar, shear, double (24H437)	1
	16H160	BAR, shear, die, double (24H437)	2		16J802	GUIDE, bar, shear, double (24J785)	1
	17R384	BAR, shear, die, double (17R378)	2		17R385	GUIDE, bar, shear, double (17R378)	1
	17A211	BAR, shear, die, double (26C273)	2		17W534	GUIDE, bar, shear, double (26C273)	1
607	16H024	BAR, shear, stop (24H435, 24H436, 24J785)	2	617	123385	PIN	1
	16H029	BAR, shear, stop (24H437)	2				
	16H030	BAR, shear, stop (17R378)	2				
	16H025	BAR, shear, stop (26C273)	2				
608	16H034	PLATE, screed, adjustable (24H435, 24H436, 24J785)	2				
	16H041	PLATE, screed, adjustable (24H437)	2				

Graco Standard Warranty

Graco warrants all equipment referenced in this document which is manufactured by Graco and bearing its name to be free from defects in material and workmanship on the date of sale to the original purchaser for use. With the exception of any special, extended, or limited warranty published by Graco, Graco will, for a period of twelve months from the date of sale, repair or replace any part of the equipment determined by Graco to be defective. This warranty applies only when the equipment is installed, operated and maintained in accordance with Graco's written recommendations.

This warranty does not cover, and Graco shall not be liable for general wear and tear, or any malfunction, damage or wear caused by faulty installation, misapplication, abrasion, corrosion, inadequate or improper maintenance, negligence, accident, tampering, or substitution of non-Graco component parts. Nor shall Graco be liable for malfunction, damage or wear caused by the incompatibility of Graco equipment with structures, accessories, equipment or materials not supplied by Graco, or the improper design, manufacture, installation, operation or maintenance of structures, accessories, equipment or materials not supplied by Graco.

This warranty is conditioned upon the prepaid return of the equipment claimed to be defective to an authorized Graco distributor for verification of the claimed defect. If the claimed defect is verified, Graco will repair or replace free of charge any defective parts. The equipment will be returned to the original purchaser transportation prepaid. If inspection of the equipment does not disclose any defect in material or workmanship, repairs will be made at a reasonable charge, which charges may include the costs of parts, labor, and transportation.

THIS WARRANTY IS EXCLUSIVE, AND IS IN LIEU OF ANY OTHER WARRANTIES, EXPRESS OR IMPLIED, INCLUDING BUT NOT LIMITED TO WARRANTY OF MERCHANTABILITY OR WARRANTY OF FITNESS FOR A PARTICULAR PURPOSE.

Graco's sole obligation and buyer's sole remedy for any breach of warranty shall be as set forth above. The buyer agrees that no other remedy (including, but not limited to, incidental or consequential damages for lost profits, lost sales, injury to person or property, or any other incidental or consequential loss) shall be available. Any action for breach of warranty must be brought within two (2) years of the date of sale.

GRACO MAKES NO WARRANTY, AND DISCLAIMS ALL IMPLIED WARRANTIES OF MERCHANTABILITY AND FITNESS FOR A PARTICULAR PURPOSE, IN CONNECTION WITH ACCESSORIES, EQUIPMENT, MATERIALS OR COMPONENTS SOLD BUT NOT MANUFACTURED BY GRACO. These items sold, but not manufactured by Graco (such as electric motors, switches, hose, etc.), are subject to the warranty, if any, of their manufacturer. Graco will provide purchaser with reasonable assistance in making any claim for breach of these warranties.

In no event will Graco be liable for indirect, incidental, special or consequential damages resulting from Graco supplying equipment hereunder, or the furnishing, performance, or use of any products or other goods sold hereto, whether due to a breach of contract, breach of warranty, the negligence of Graco, or otherwise.

Graco Information

For the latest information about Graco products, visit www.graco.com.

For patent information, see www.graco.com/patents.

TO PLACE AN ORDER, contact your Graco distributor or call 1-800-690-2894 to identify the nearest distributor.

*All written and visual data contained in this document reflects the latest product information available at the time of publication.
Graco reserves the right to make changes at any time without notice.*

For patent information, see www.graco.com/patents.

Original instructions. This manual contains English. MM 3A1321

Graco Headquarters: Minneapolis

International Offices: Belgium, China, Japan, Korea

GRACO INC. AND SUBSIDIARIES • P.O. BOX 1441 • MINNEAPOLIS MN 55440-1441 • USA

Copyright 2011, Graco Inc. All Graco manufacturing locations are registered to ISO 9001.

www.graco.com
Revision R, May 2022

